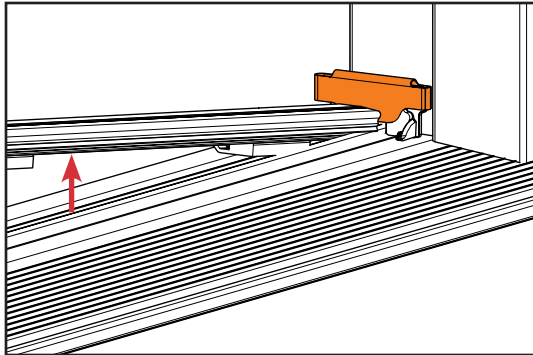


Endura Z-Articulating Cap Sill™ Mull Stiffeners

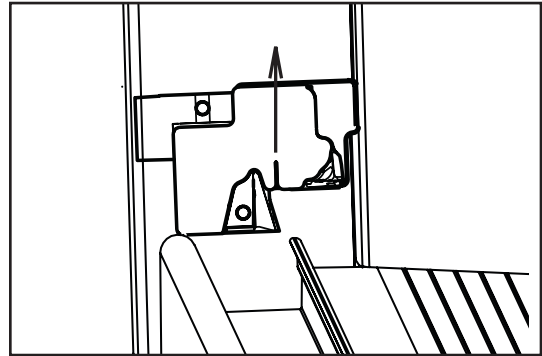
Replacement Instructions



STEP 1: REMOVE CAP AND DAMAGED Z-END BASE™ MULL STIFFENER

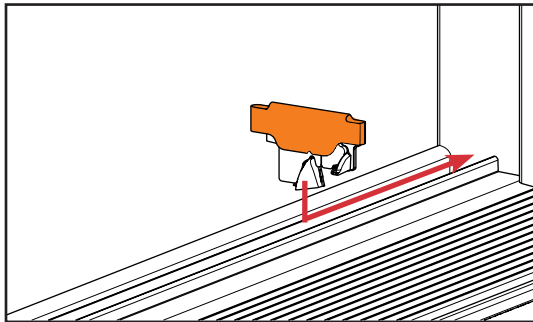


a. Remove the sill cap to expose the cap channel.



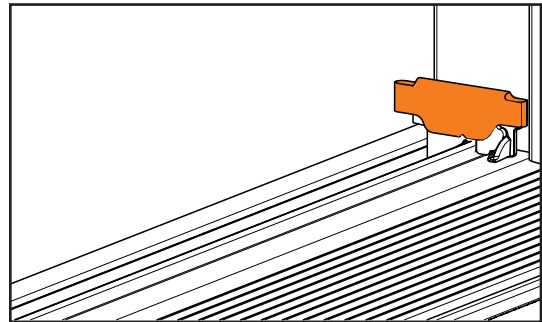
b. Take out the stiffener from the door frame and discard.

STEP 2: INSERT NEW Z-END BASE™ MULL STIFFENER



a. Insert the new Z-End Base™ mull stiffener into the cap channel.

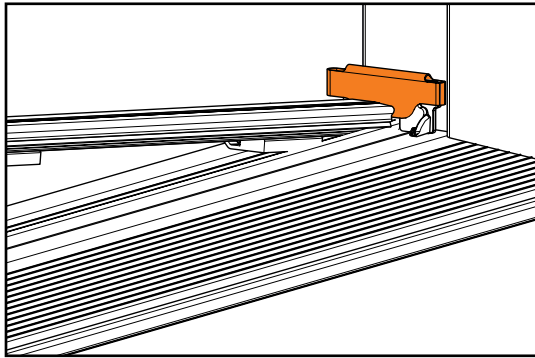
Note: The mull stiffeners are handed and can only be inserted one way.



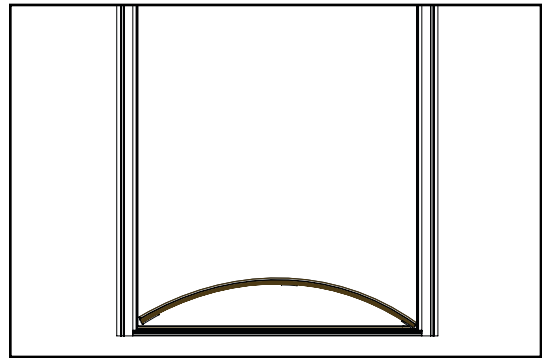
b. Slide to the end so the flat side of the stiffener is flush against the door frame. Repeat this on the other side.

Note: Do not caulk or staple the mull stiffeners in place. Do not remove the orange protective gasket label until the sill cap is returned.

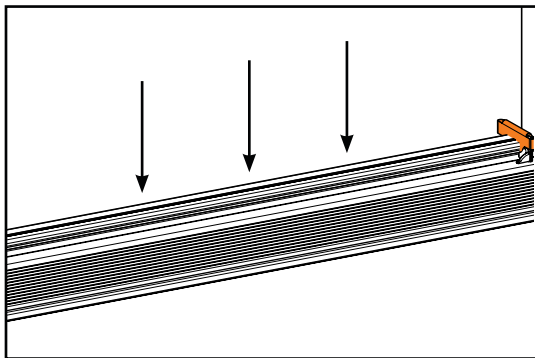
STEP 3: REINSTALL SILL CAP



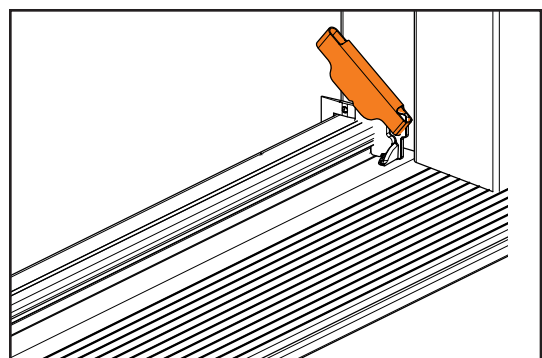
a. Beginning on one end, line up the edge of the sill cap against the Z-End Base™ mull stiffener. Gently press the cap into the channel.



b. Now, holding the other end, slightly bend the cap in order to align the opposite edge with the mull stiffener on the other side.

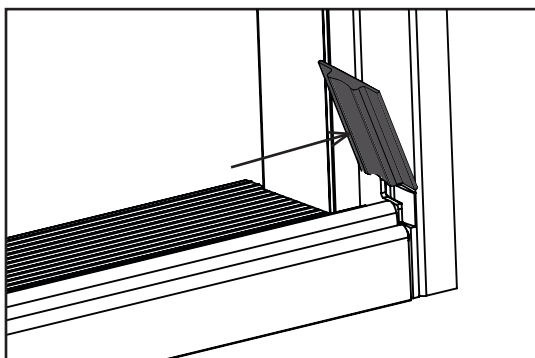


c. Once both ends of the cap are aligned correctly, apply pressure along its entire length to seat the cap fully in place.

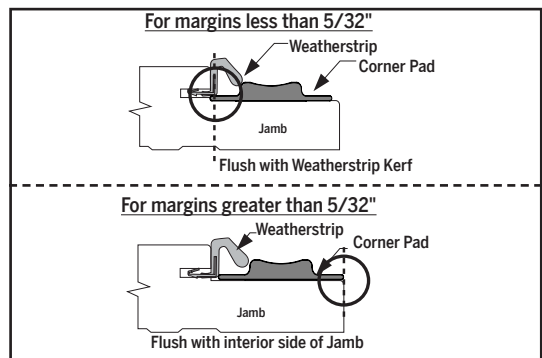


d. Confirm correct installation observing that the front fin of the cap is evenly laid. Once the cap is installed, remove the orange protective gasket label from the stiffener.

STEP 4: REINSTALL CORNER PADS



a. Remove paper backing and align bottom of corner pad flush against the top of the Z-End Base™.



b. Align with weatherstrip and jamb based on strike margins. Press corner pad firmly against jamb and confirm the door operates properly. The sill cap should move up and down as the door opens and closes.