

Endura Ultimate Lite Astragal Deadbolt/Strike Plate and Retainer Kit Replacement Instructions



Tools Required:

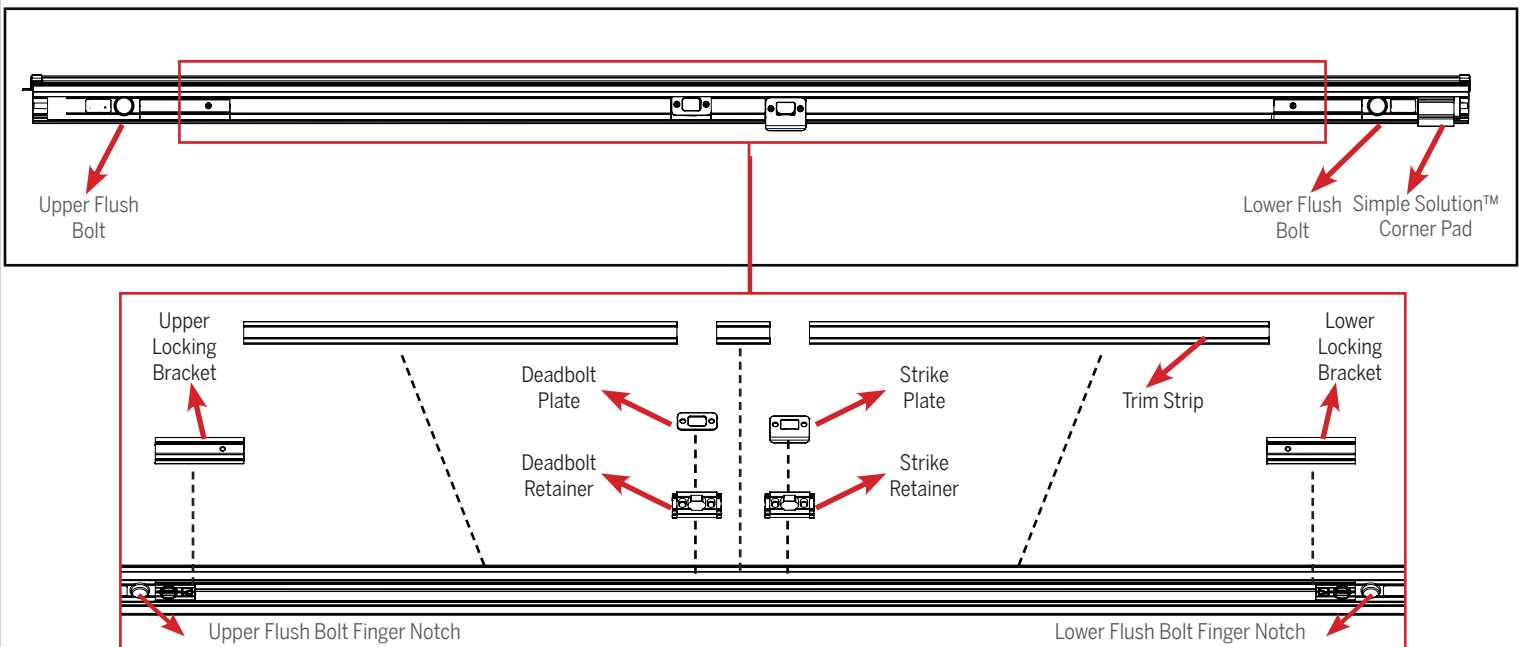


Phillips
Screwdriver

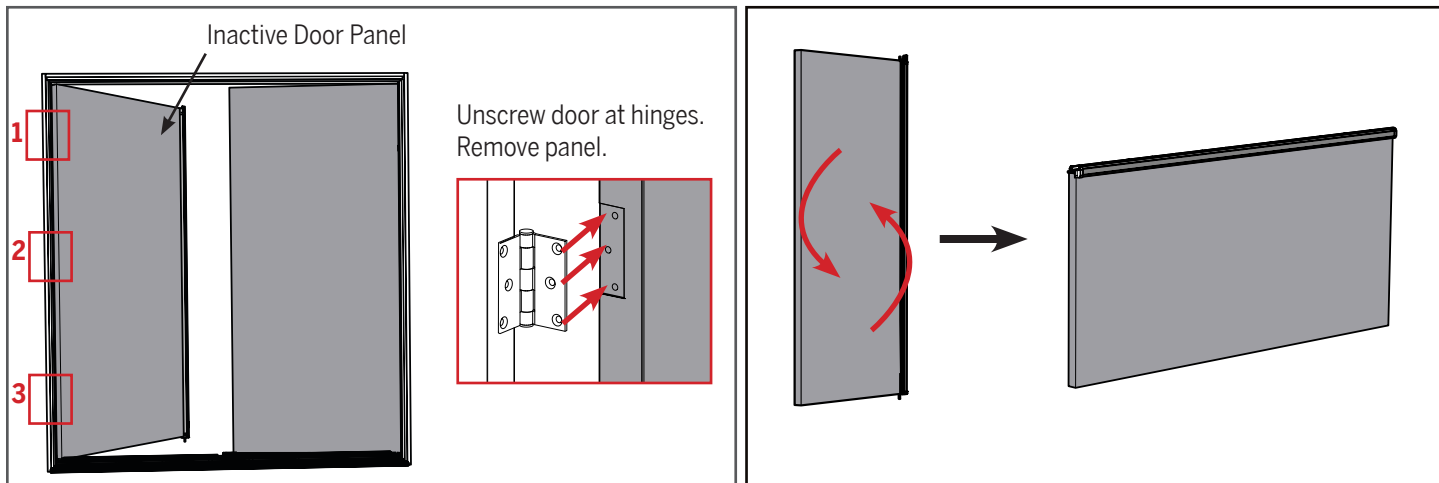
NOTE:

The deadbolt plate and retainer kit and strike plate and retainer kit for the Ultimate Lite Astragal are sold separately. Please ensure you follow the instructions for appropriate replacement.

Product Reference Guide: Ultimate Lite Astragal Anatomy



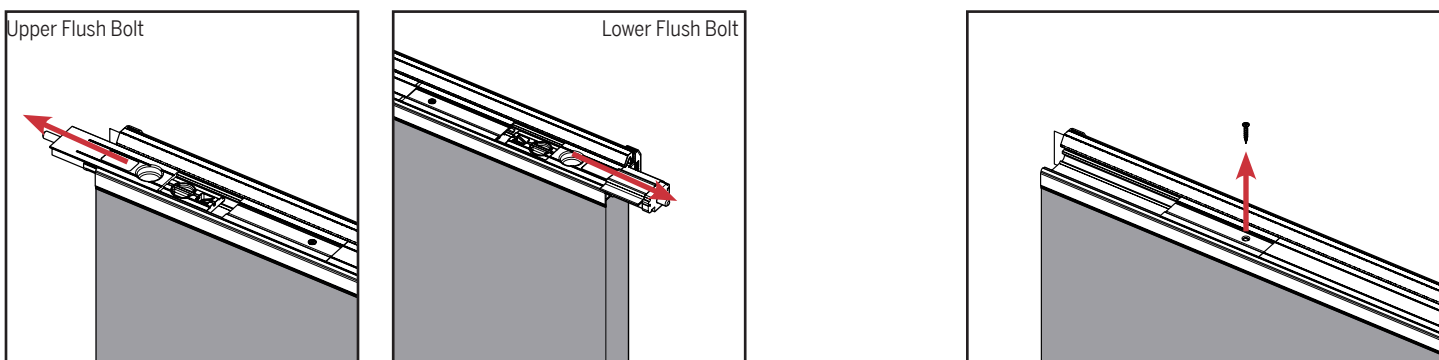
STEP 1: REMOVE DOOR PANEL FROM JAMB



a. Remove the inactive door panel by unscrewing the door from the hinges.

b. Place the door panel horizontally against a strong support to access the astragal.

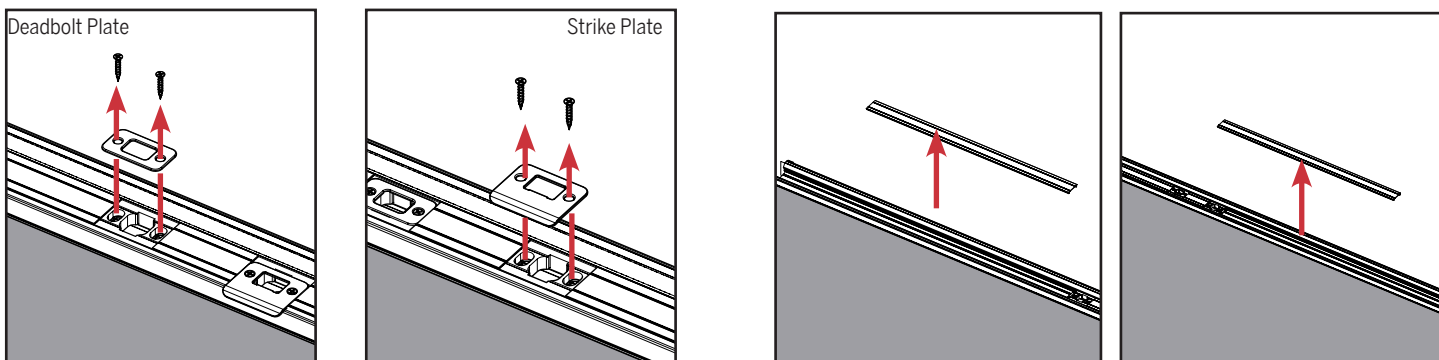
STEP 2: REMOVE FLUSH BOLT



a. Slide out the upper flush bolt if replacing the deadbolt retainer or slide out the strike retainer if replacing the strike retainer.

b. If present, remove the screw securing the strike support and remove the strike support.

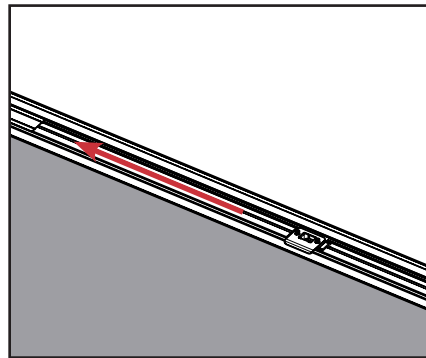
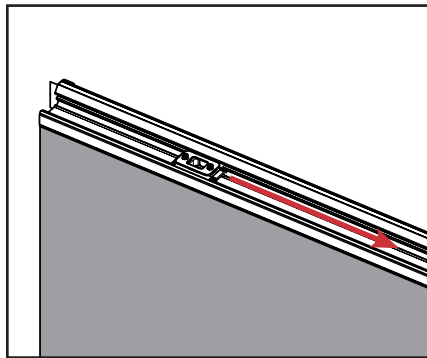
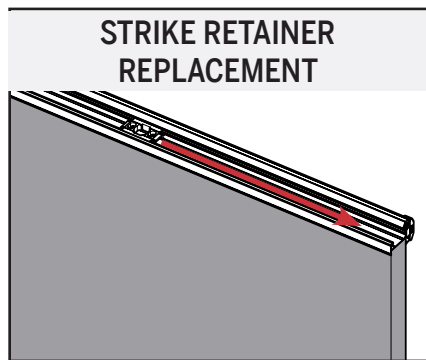
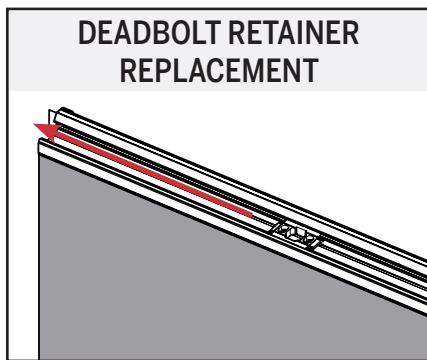
STEP 3: REMOVE DEADBOLT /STRIKE PLATE AND TRIM STRIP



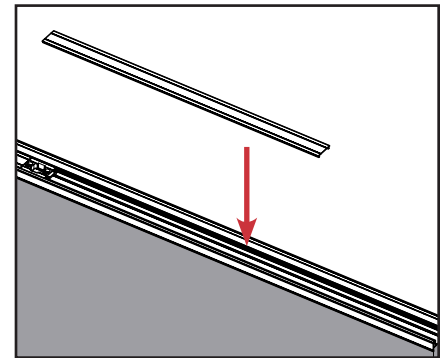
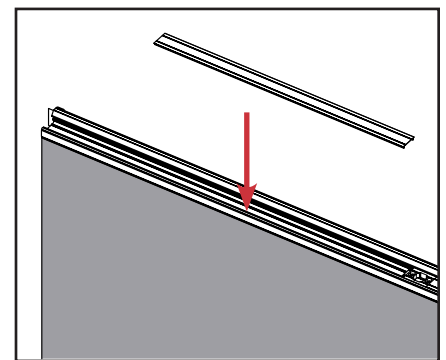
a. Remove the screws holding the deadbolt plate if you are removing the deadbolt retainer or remove the screws holding the strike plate if you are removing the strike retainer.

b. Remove the trim above the **deadbolt** plate if removing the deadbolt retainer or remove the trim below the **strike** plate if removing the strike retainer.

STEP 4: REPLACE DEADBOLT/STRIKE RETAINER AND TRIM STRIP

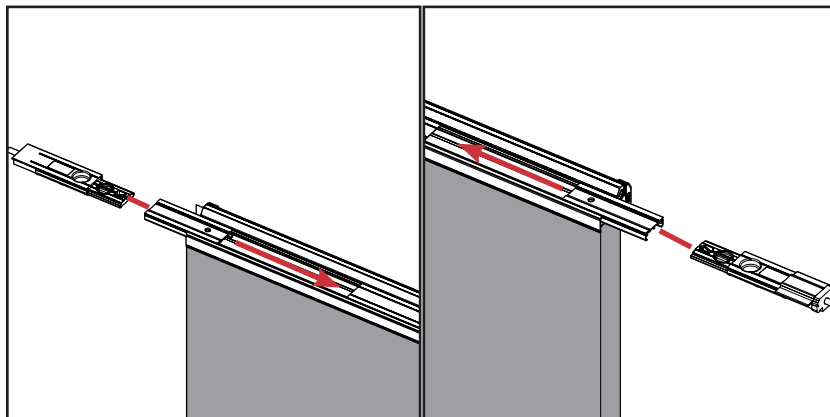


a. Slide the old deadbolt or strike retainer out of the astragal body and slide the new deadbolt or strike retainer into the astragal body.

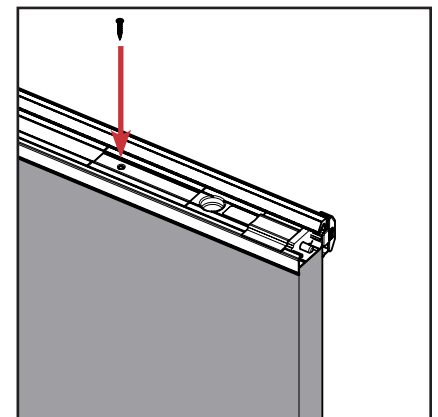


b. Reinstall the trim strip into the astragal body, helping to align the deadbolt and strike retainers.

STEP 5: REINSTALL FLUSH BOLT

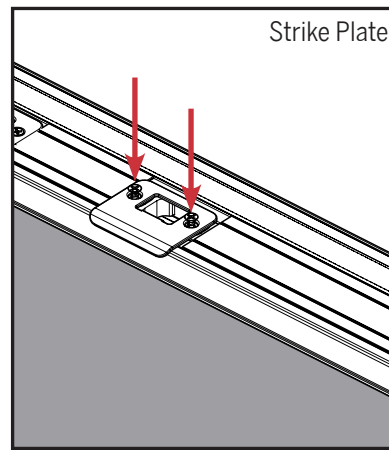
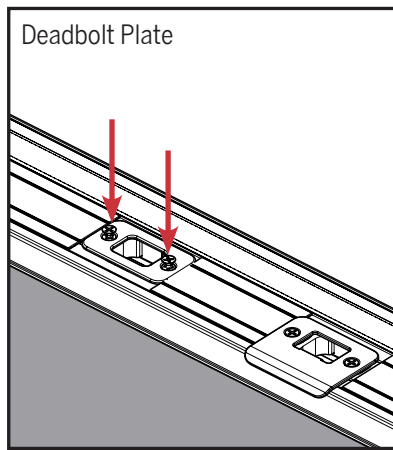


a. Slide the locking bracket (if present) and flush bolt back into the astragal body. The flush bolt should be flush with the end of the astragal body.



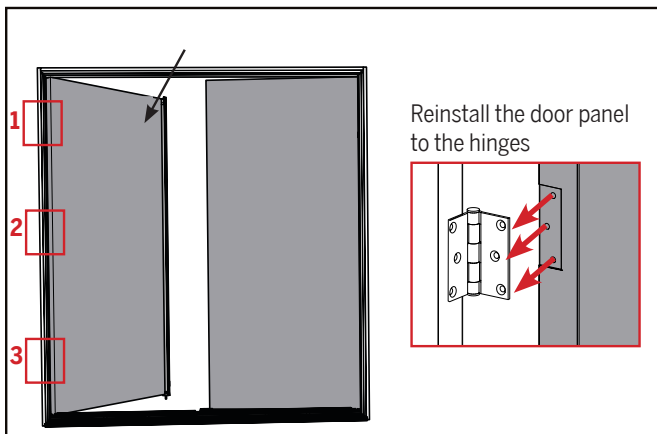
b. If the locking bracket is present, reinstall the screw back into the bracket.

STEP 6: REINSTALL THE DEADBOLT/STRIKE PLATE

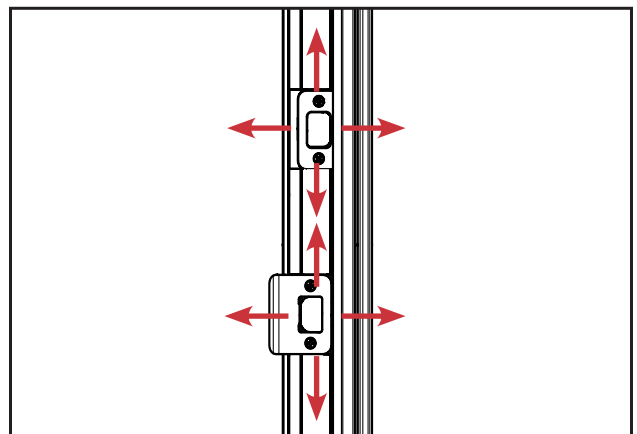


Tighten the deadbolt or strike plate in place, using best judgment for horizontal alignment.

STEP 7: REINSTALL DOOR ON JAMB



a. Reinstall the inactive door panel by screwing the door panel back to the hinges.



b. Adjust the location of the plate if necessary by loosening the screws and sliding the plate horizontally.