

Endura Ultimate Lite Astragal Locking Flush Bolt

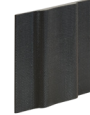
Replacement Instructions

Tools Required:



Phillips
Screwdriver

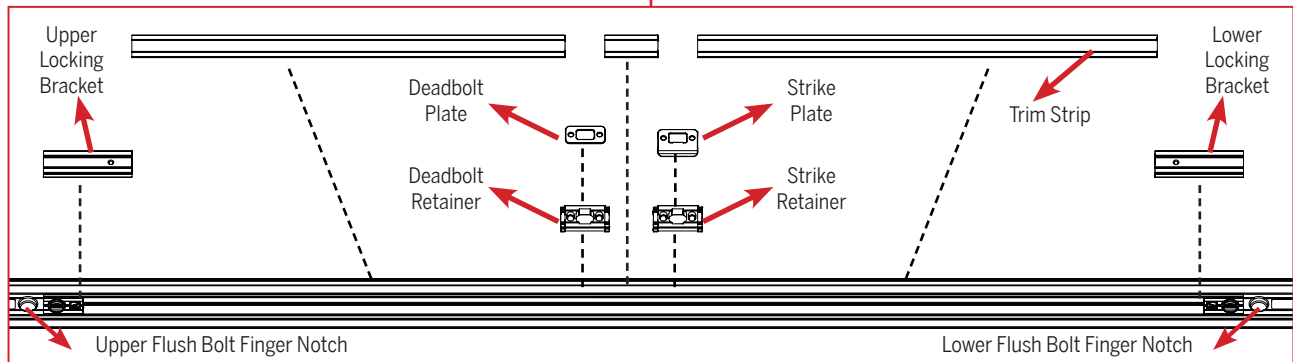
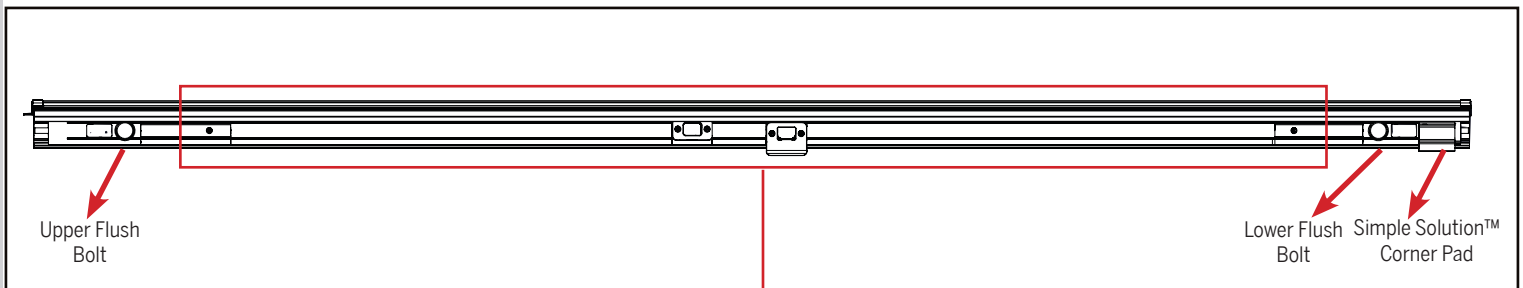
Recommended Parts for Lower Flush Bolts:



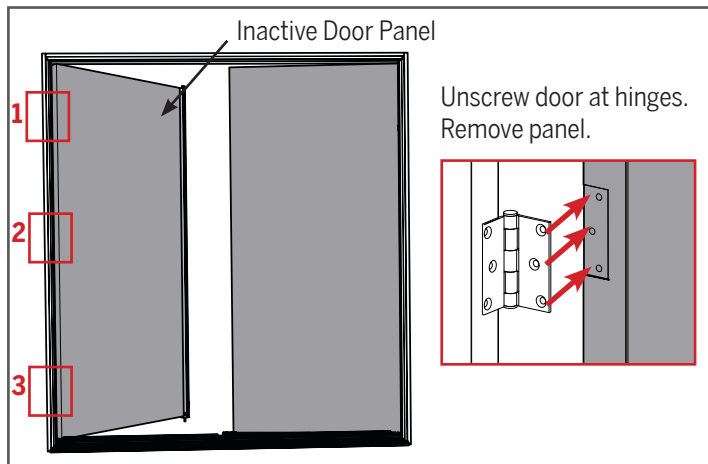
Endura Simple Solution™
Corner Pad



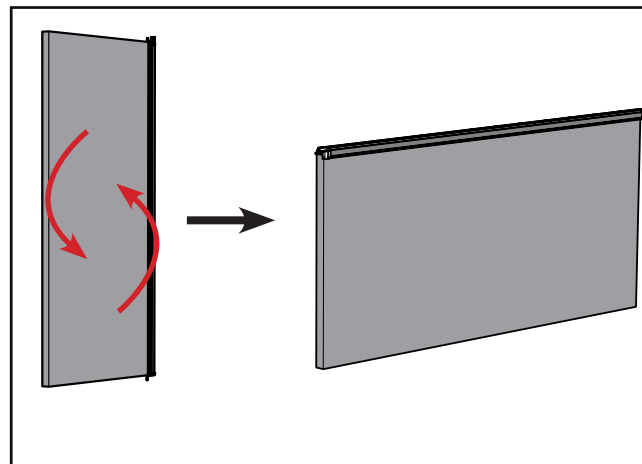
Product Reference Guide: Ultimate Lite Astragal Anatomy



STEP 1: REMOVE INACTIVE DOOR PANEL FROM JAMB

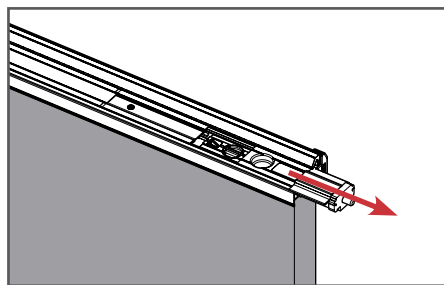


a. Remove the inactive door panel by unscrewing the door from the hinges.



b. Place the door panel horizontally against a strong support to access the astragal.

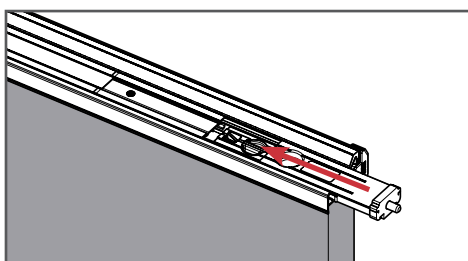
STEP 2: SLIDE OUT OLD BOLT



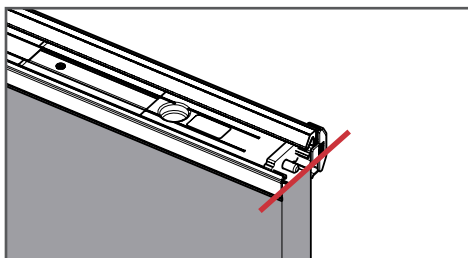
Slide the bolt to replace out of the astragal using the finger notch on the bolt. (Lower bolt shown in image).

STEP 3: REPLACE WITH NEW BOLT

If you already have a locking bolt:

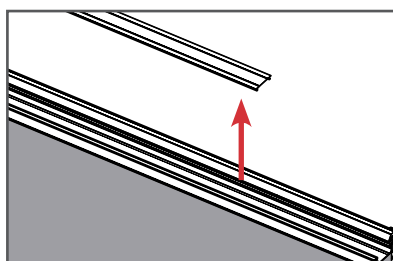


a. Slide the new bolt into the astragal body, ensuring the inner end of the bolt slides under the locking bracket.

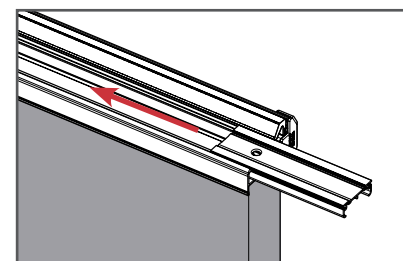


b. When the bolt is retracted (unlocked), the end of the bolt should be flush with the end of the astragal.

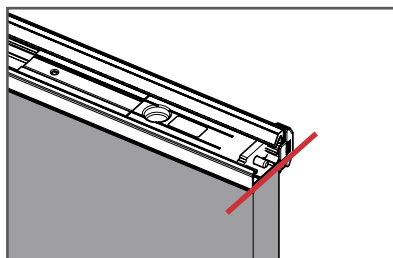
If you are upgrading to a locking bolt:



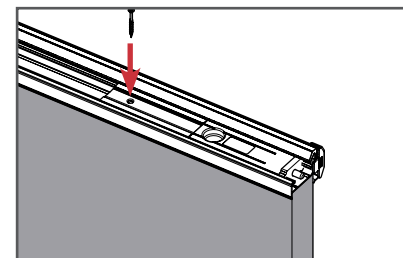
a. Remove the trim adjacent to the bolt you are replacing.



b. Slide the new strike support bracket into the astragal body.

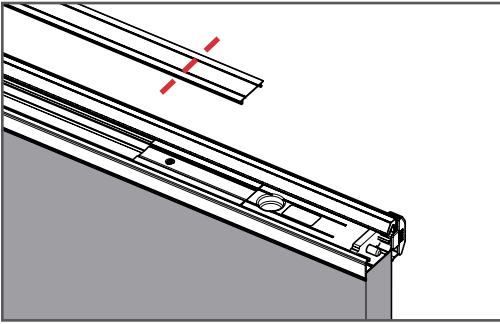


c. Slide the new bolt into the astragal body. The end of the bolt should be flush with the end of the astragal.

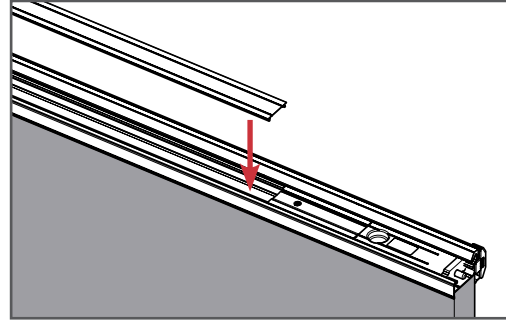


d. Secure the strike support with the included screw. It should fit against the flush bolt in the unlocked position.

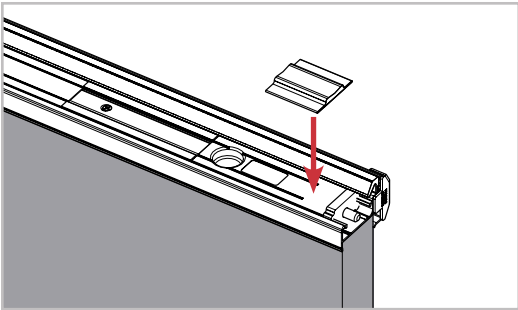
STEP 4: REPLACE TRIM



a. Cut the trim strip to resize, if necessary.

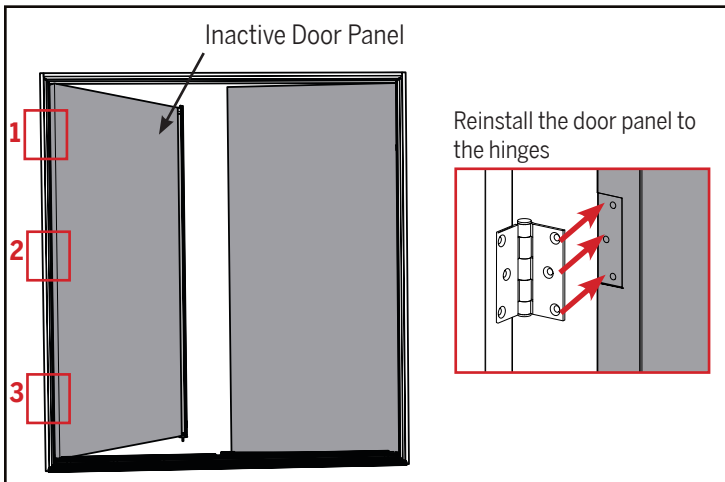


b. Reinstall the trim strip flush against the strike support.



***Note:** If replacing the lower bolt, install a new corner pad (purchased separately) at this step.

STEP 5: RETURN DOOR ON JAMB



Reinstall the inactive door panel by screwing the door panel back to the hinges.