

Endura Ultimate Hurricane Astragal Flush Bolt

Replacement Instructions

Tools Required:



Phillips
Screwdriver

Recommended Parts for Lower Flush Bolts:



Endura Simple Solution™
Corner Pad

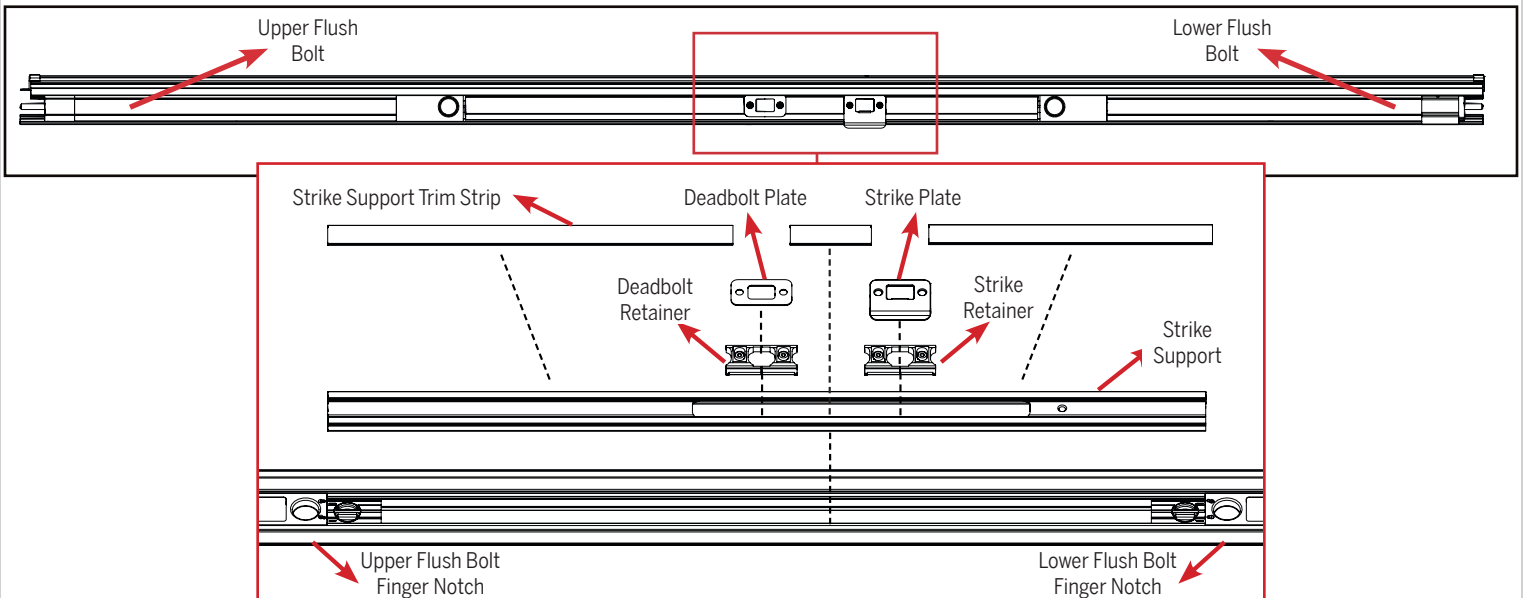
UPPER
BOLT

LOWER
BOLT

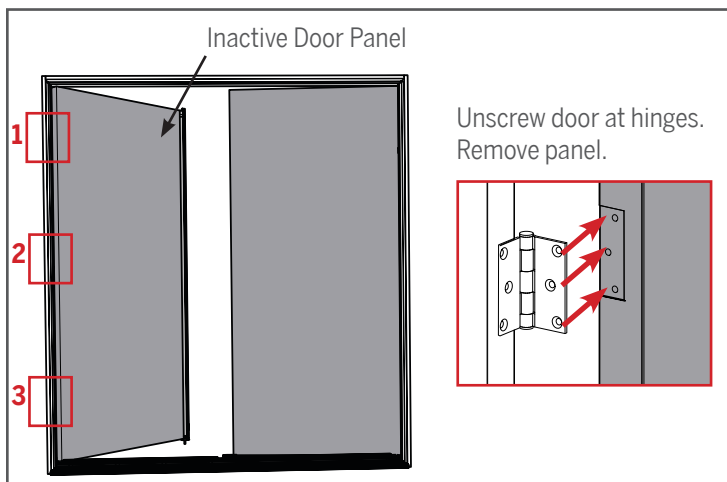


Product Reference Guide:

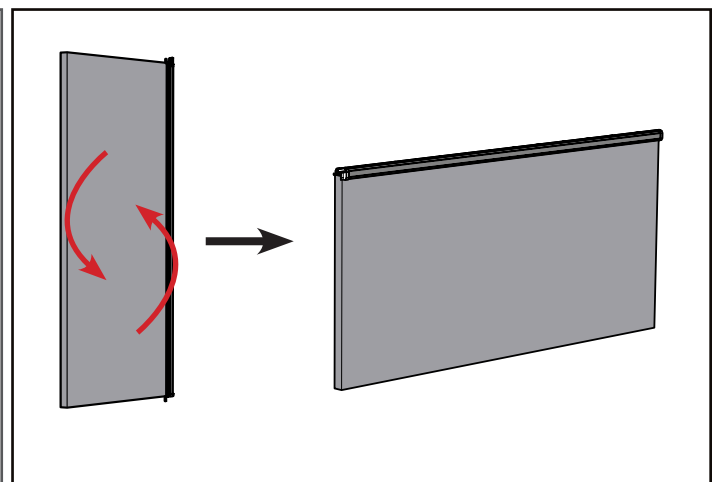
Ultimate Hurricane Astragal Anatomy



STEP 1: REMOVE INACTIVE DOOR PANEL FROM JAMB

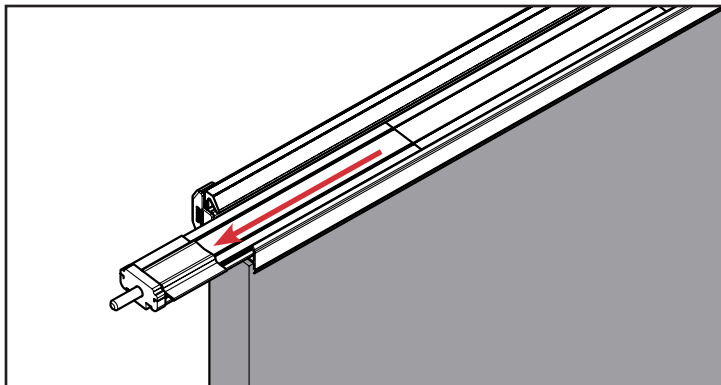


a. Remove the inactive door panel by unscrewing the door from the hinges.



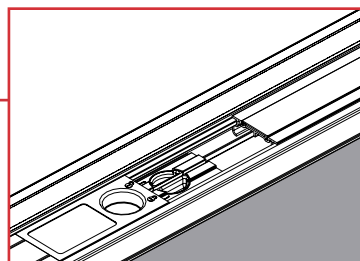
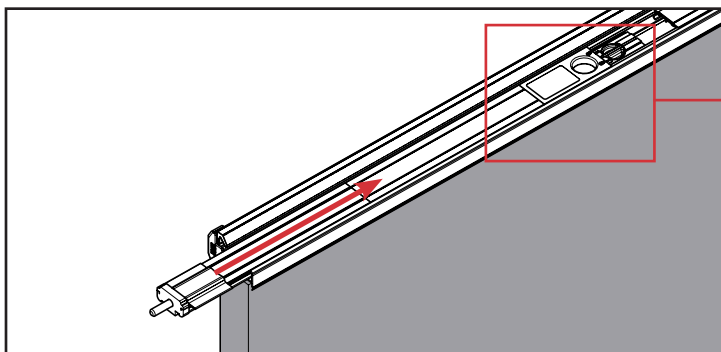
b. Place the door panel horizontally against a strong support to access the astragal.

STEP 2: REMOVE BOLT FROM ASTRAGAL

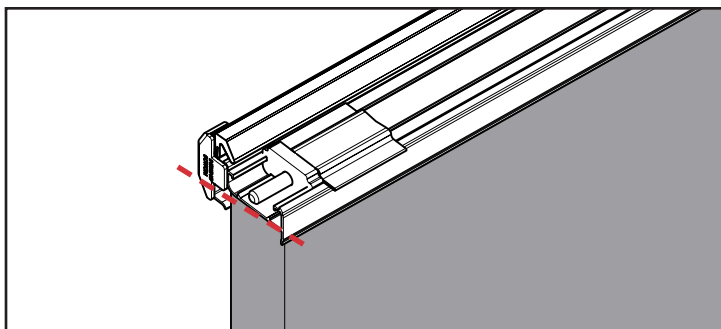


Slide the bolt you wish to replace out of the astragal using the finger notch on the bolt. (Lower bolt shown in image).

STEP 3: REPLACE WITH NEW BOLT



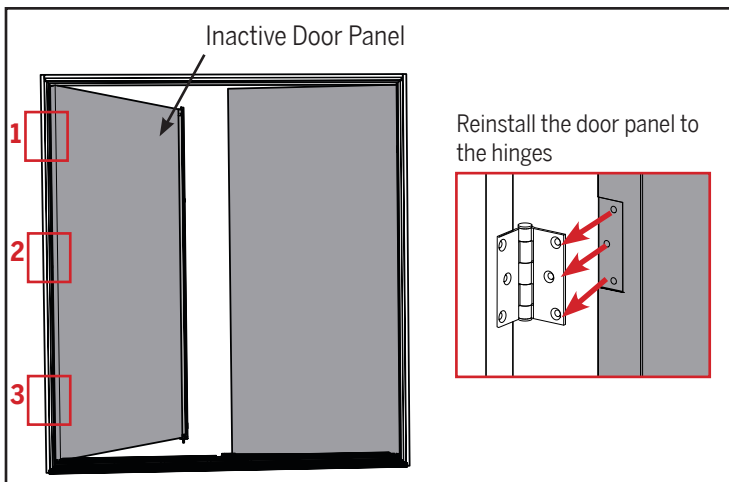
a. Slide the new flush bolt into the astragal and under the strike support.



b. When the bolt is in the unlocked (retracted) position, the end of the bolt must be flush with the end of the astragal.

***Note:** If replacing the lower bolt, install a new corner pad (purchased separately) at this step.

STEP 4: REINSTALL DOOR PANEL ON JAMB



Reinstall the inactive door panel by screwing the door panel back to the hinges.