

Endura Ultimate Hurricane Astragal Conversion Kit

INSWING KIT INCLUDES:



- Hurricane Bolt
- Corner Pad
- Header Strike Plate
- Securing screws (2)

OUTSWING KIT INCLUDES:



- Hurricane Bolt
- Header Strike Plate
- Sill Strike Plate
- Securing screws (4)

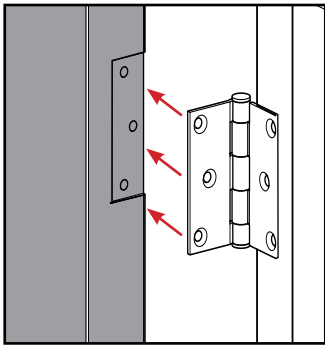
TOOLS REQUIRED:

- Phillips Screwdriver
- Pencil
- Power Drill

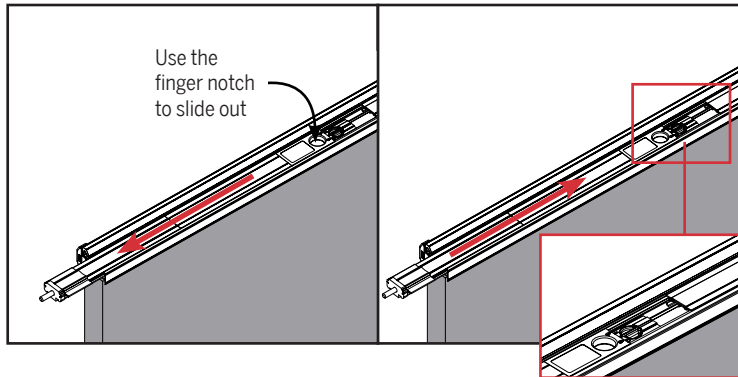
Installation Instructions

STEP 1: REPLACE LOWER BOLT WITH HURRICANE BOLT

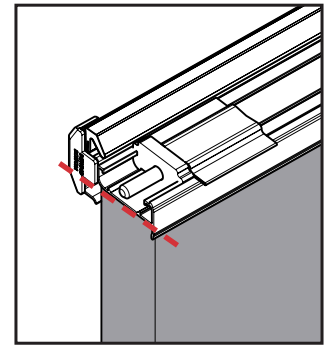
For door panels that are 80" high, only the bottom bolt needs to be upgraded to gain hurricane reinforcement.



a. Remove the inactive door panel by loosening and removing screws from the hinges. Place the panel vertically against a strong support to gain easy access to the astragal.

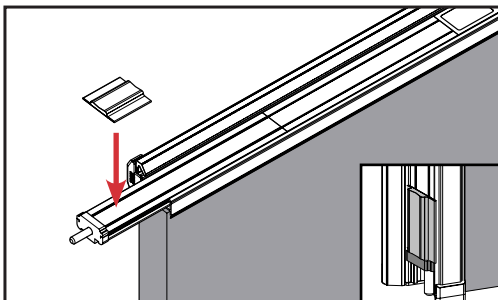


b. Remove the bottom bolt by sliding out of astragal body using the round finger notch. Replace bolt with new hurricane bolt, ensuring the inner end of the bolt fits under the strike support.

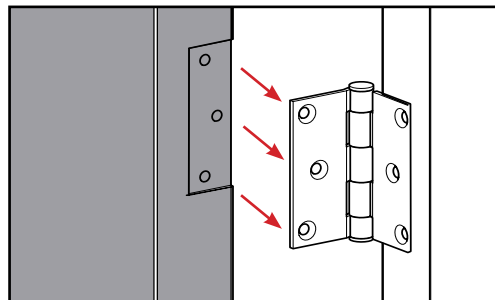


c. When the bolt is in the retracted (unlocked) position, the end of the bolt must be flush with the end of the astragal.

STEP 2: PLACE CORNER PAD ON LOWER BOLT



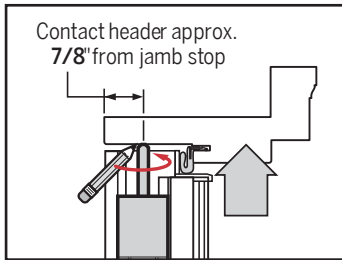
a. Install corner pad on the bottom bolt so that the bottom is flush against the bottom pad.



b. Reinstall door panel on the jamb by screwing panel back onto the hinges.



STEP 3: INSTALL HEADER HURRICANE STRIKE PLATE (INSWING AND OUTSWING)



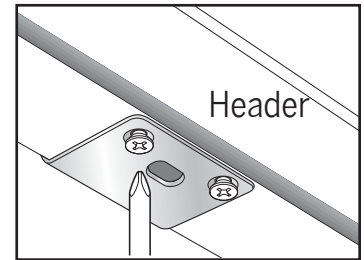
Side view of passive door

A. Determine hole location on header.

If you are replacing a damaged header strike plate, unscrew this and discard. Confirm the hole location.

If hole is misaligned or this is a first time installment, a new hole must be drilled.

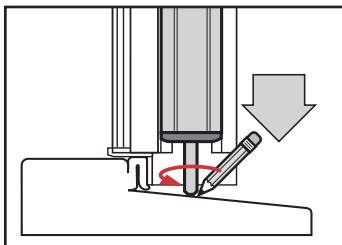
- Close passive door all the way. Engage the upper bolt so the bolt pin comes in contact with the header. Mark the contact location.
- Drill a hole at this location with the following dimensions:
Hole diameter: 3/8"
Hole depth: At least 1-3/8"



B. Install header strike plate.

Align the header strike plate over the drilled hole and secure with the two screws.

STEP 4: INSTALL SILL HURRICANE STRIKE PLATE (OUTSWING ONLY)



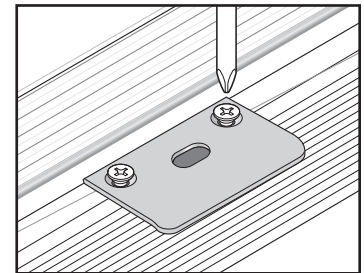
Side view of passive door

A. Determine hole location on sill

If you are replacing a damaged sill strike plate, unscrew this and discard. Confirm the hole location.

If hole is misaligned or this is a first time installment, a new hole must be drilled.

- Close passive door all the way. Engage the lower bolt so the bolt pin comes in contact with the sill. Mark the contact location.
- Drill a hole at this location with the following dimensions:
Hole diameter: 3/8"
Hole depth: At least 1-3/8"



B. Install sill strike plate.

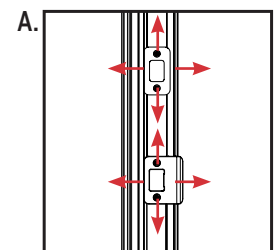
Align the sill strike plate over the drilled hole and secure with the two screws.

STEP 5: CONFIRM PROPER INSTALLATION

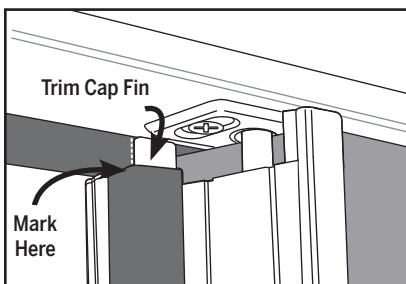
To complete and confirm proper installation, confirm strike plate locations and header weatherstrip clearance.

A. If necessary, adjust strike plate location

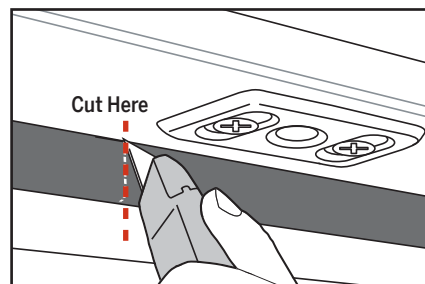
Adjust the location of the strike/ deadbolt plates if necessary by loosening the screws and sliding the plate horizontally.



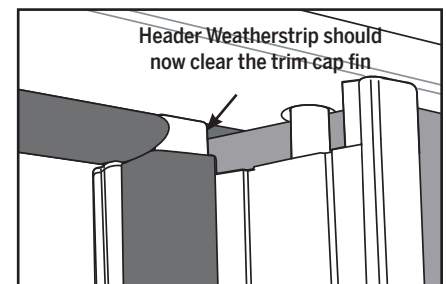
B. If necessary, cut the header weatherstrip to allow the door to close completely



a. Close the inactive door. Mark the location of where the trim cap fin meets the header weatherstrip.



b. Open the inactive door, use a utility knife to cut the header weatherstrip on the mark made.



c. Ensure that the trim cap fin makes contact with the active door panel when the door is closed, maintaining the integrity of the seal.