

# Endura Ultimate Hurricane Astragal Component Kit



8817 West Market Street  
Colfax, NC 27235  
800.334.2006 Fax: 336.668.4478  
www.enduraproducts.com

## IN SWING KIT INCLUDES:



- Header Strike Plate
- Securing screws (2)

## OUT SWING KIT INCLUDES:



- Header Strike Plate
- Sill Strike Plate
- Securing screws (4)

## TOOLS REQUIRED:

- Phillips Screwdriver
- Pencil
- Power Drill

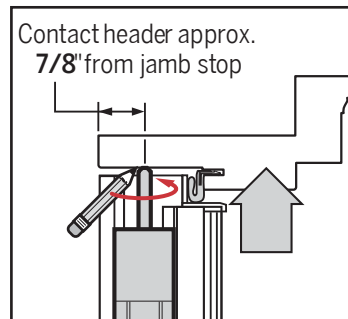
## STEP 1: INSTALL HEADER HURRICANE STRIKE PLATE (IN SWING AND OUT SWING)

### A. Determine hole location on header.

If you are replacing a damaged header strike plate, unscrew this and discard. Confirm the hole location.

If hole is misaligned or this is a first time installment, a new hole must be drilled.

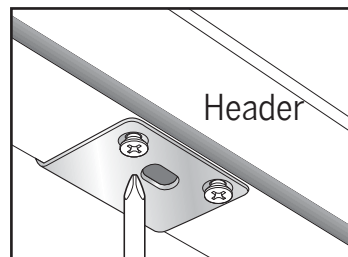
- Close passive door all the way. Engage the upper bolt so the bolt pin comes in contact with the header. Mark the contact location.
- Drill a hole at this location with the following dimensions:  
**Hole diameter:** 3/8"  
**Hole depth:** At least 1-3/8"



Side view of passive door

### B. Install header strike plate.

Align the header strike plate over the drilled hole and secure with the two screws.



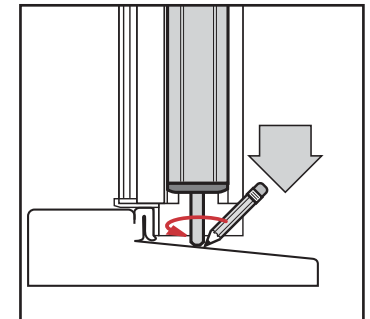
## STEP 2: INSTALL SILL HURRICANE STRIKE PLATE (OUT SWING ONLY)

### A. Determine hole location on sill

If you are replacing a damaged sill strike plate, unscrew this and discard. Confirm the hole location.

If hole is misaligned or this is a first time installment, a new hole must be drilled.

- Close passive door all the way. Engage the lower bolt so the bolt pin comes in contact with the sill. Mark the contact location.
- Drill a hole at this location with the following dimensions:  
**Hole diameter:** 3/8"  
**Hole depth:** At least 1-3/8"



Side view of passive door

### B. Install sill strike plate.

Align the sill strike plate over the drilled hole and secure with the two screws.

