

Endura Ultimate Veneer Astragal Trim Cap and Spacer Kit

Replacement Instructions

Tools Required:



Phillips
Screwdriver

INSWING



OUTSWING

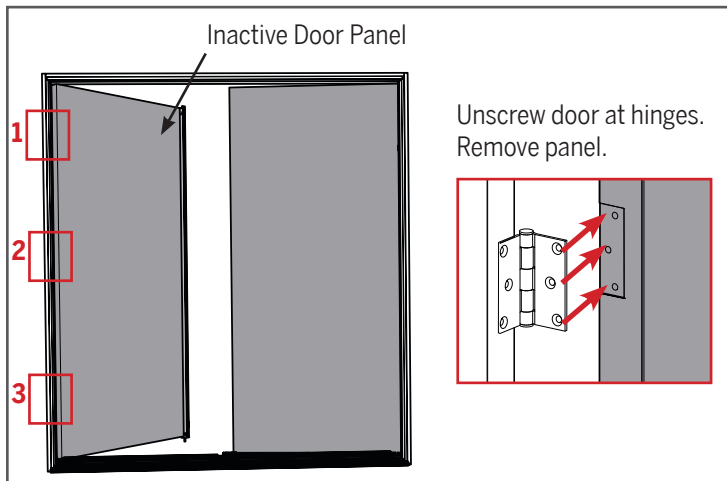


NOTES:

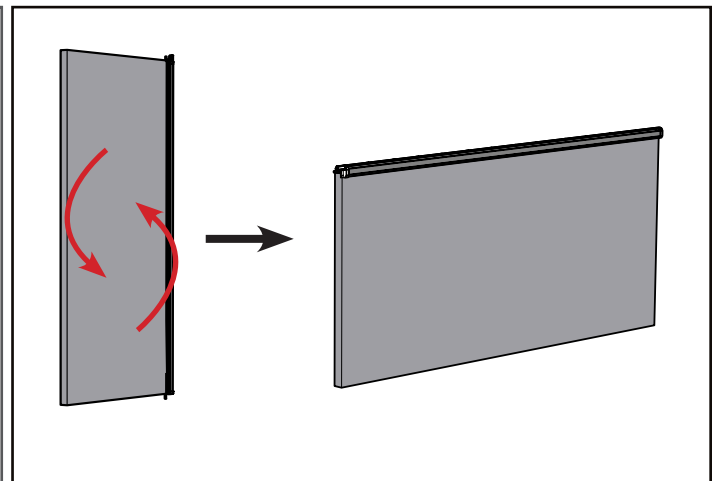
For **Inswing** Doors: Only one spacer will be used on the top of the astragal.

For **Outswing** Doors: Both spacers will be used

STEP 1: REMOVE DOOR PANEL FROM JAMB

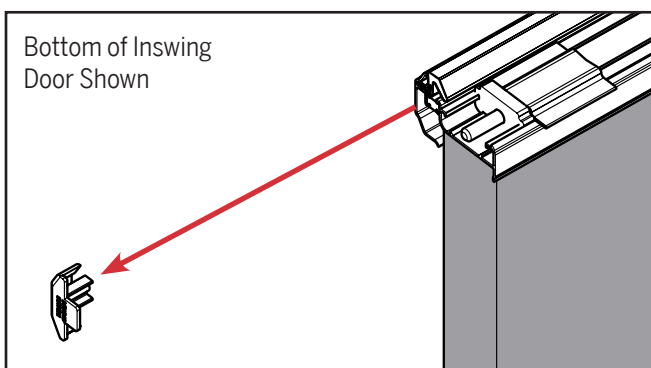


a. Remove the inactive door panel by unscrewing the door from the hinges.

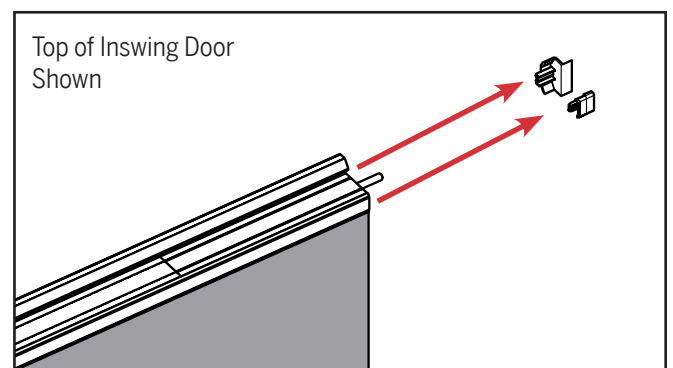


b. Place the door panel horizontally against a strong support to access the astragal.

STEP 2: REMOVE OLD TRIM CAPS AND/OR SPACERS

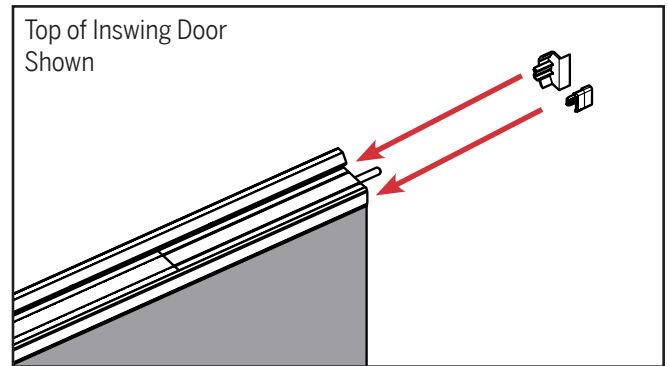
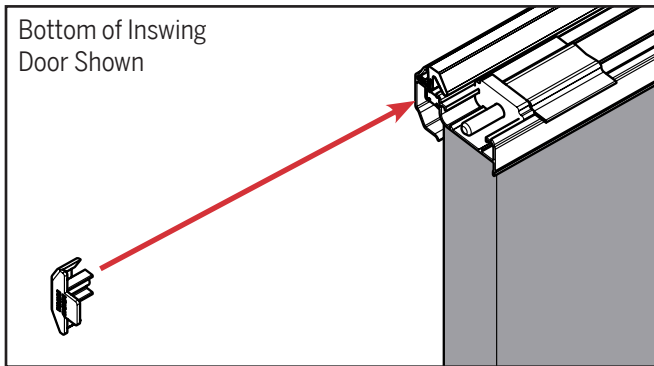


a. Remove the trim cap from the bottom of the astragal. If outswing, remove the spacer.



b. Remove the trim cap and spacer from the top, if present.

STEP 3: INSTALL NEW TRIM CAPS AND/OR SPACERS

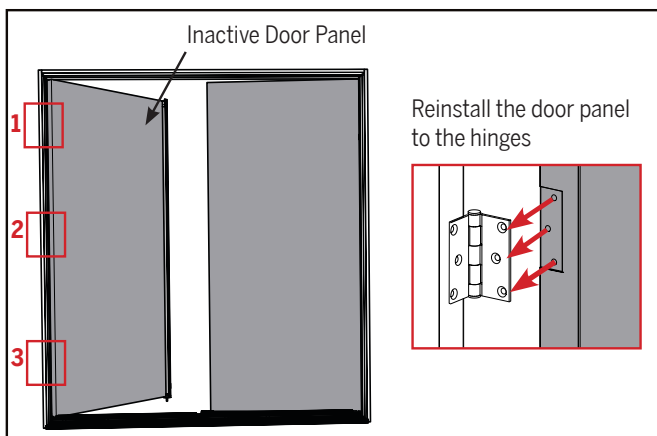


a. Install the new trim cap to the bottom of the astragal. For outswing doors, install the new spacer to the bottom as well.

b. Install the trim cap and spacer to the top.

Please note: The trim caps are labeled with where they should be installed. The spacers will only fit in one location. There will be an extra spacer with inswing kits.

STEP 4: REINSTALL DOOR PANEL ON JAMB



a. Reinstall the inactive door panel by screwing the door panel back to the hinges.

