

Endura Ultimate Astragal Deadbolt/Strike Plate and Retainer Kit

Installation Instructions

**DEADBOLT PLATE &
RETAINER**



**STRIKE PLATE &
RETAINER**



Tools Required:



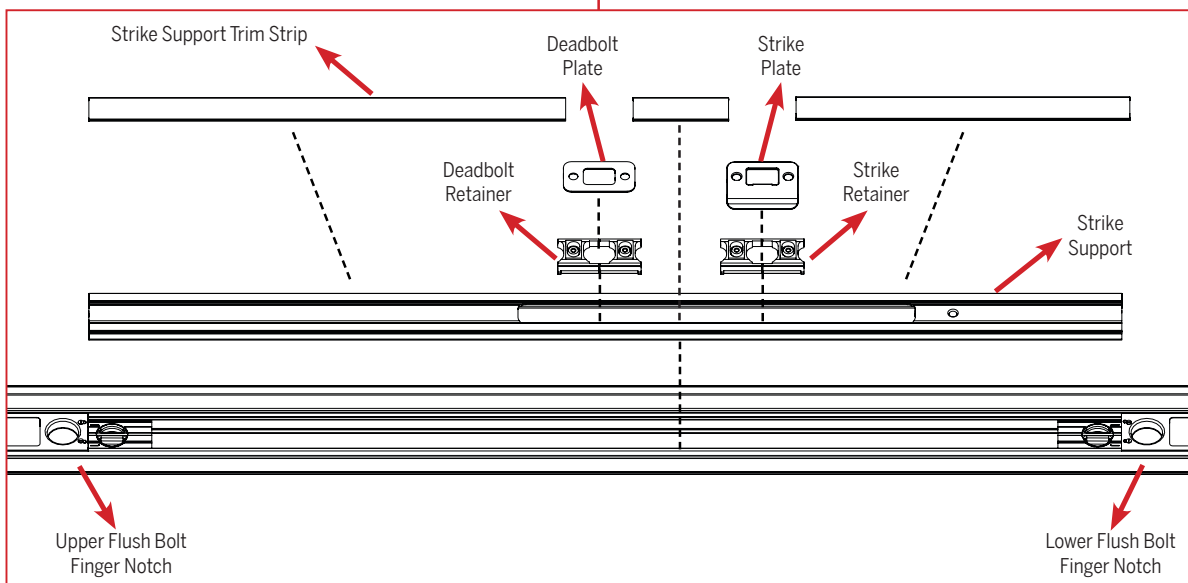
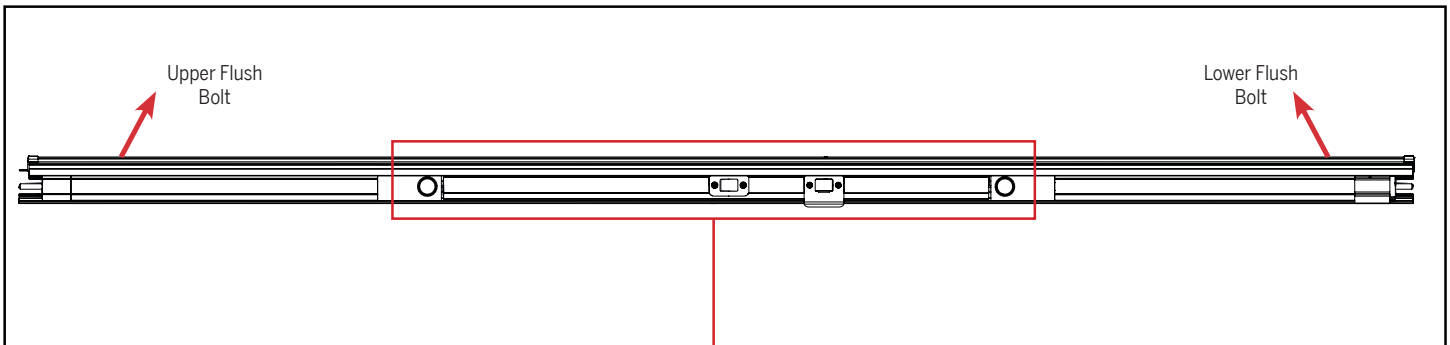
Phillips
Screwdriver

NOTE:

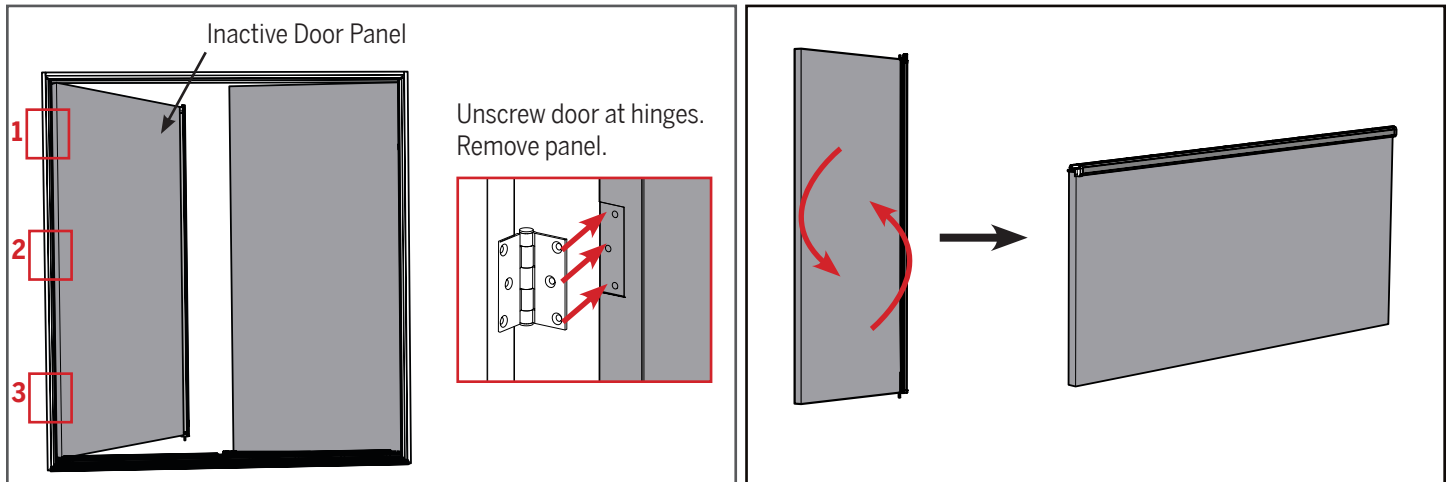
The deadbolt plate and retainer kit and strike plate and retainer kit for the Ultimate Astragal are sold separately. Please ensure you follow the instructions for appropriate replacement. These kits are also compatible with the Endura Ultimate Hurricane Astragal.

Product Reference Guide:

Ultimate Astragal and Ultimate Hurricane Astragal Anatomy



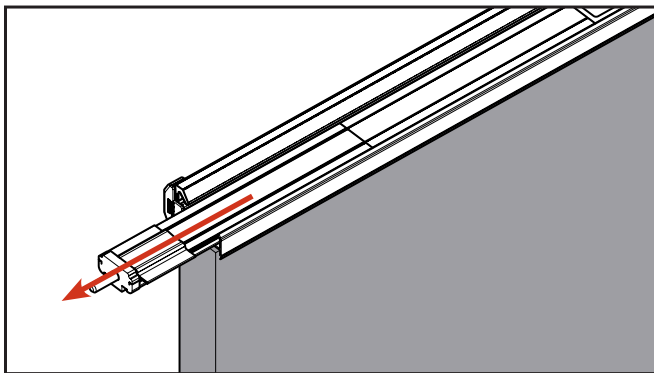
STEP 1: REMOVE DOOR PANEL FROM JAMB



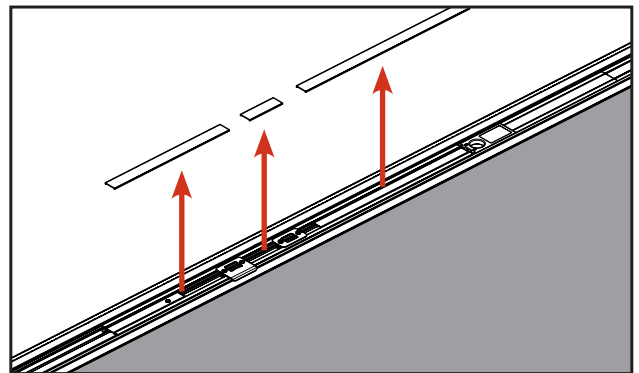
a. Remove the inactive door panel by unscrewing the door from the hinges.

b. Place the door panel horizontally against a strong support to access the astragal.

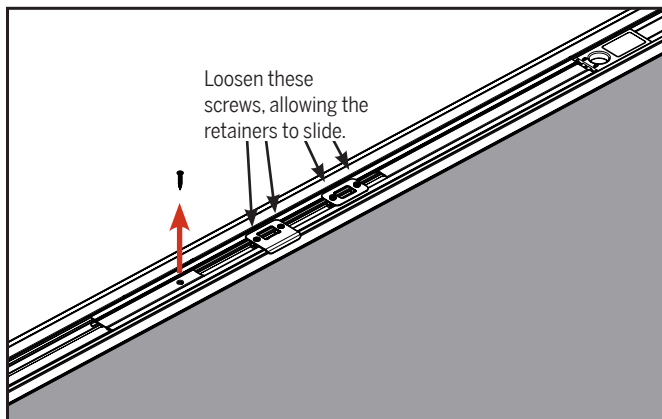
STEP 2: REMOVE COMPONENTS FROM ASTRAGAL



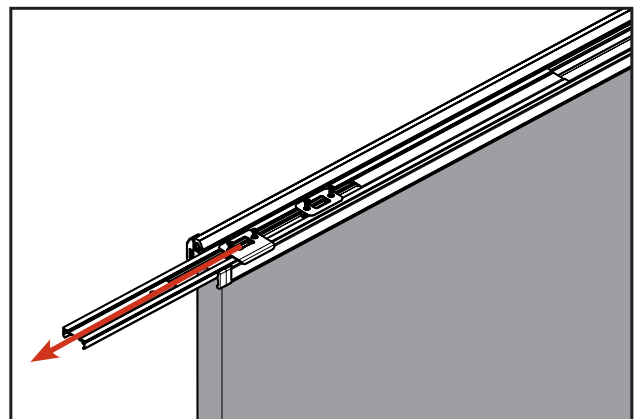
a. Slide the bottom bolt off the astragal using the lower flush bolt finger notch.



b. Remove the trim strip that is on the strike support. Note where these belong on the strike support as you will need to return them to the same location.

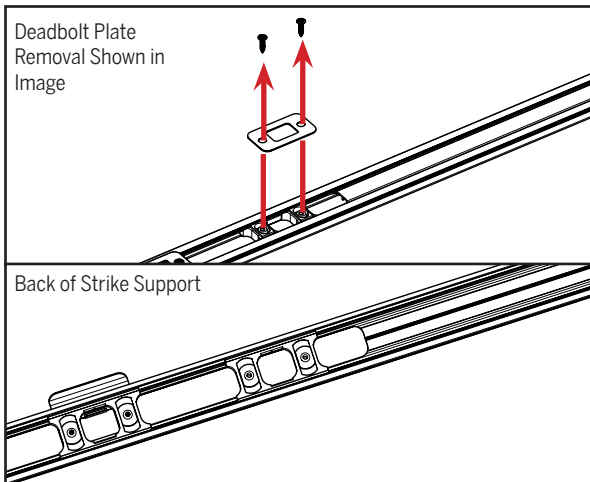


c. Remove the screw securing the strike support and loosen the screws that secure the deadbolt and strike plates.

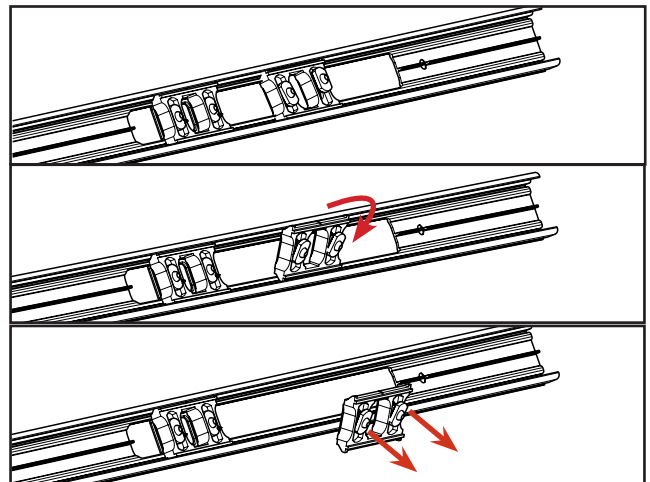


d. Slide the strike support out of the astragal body.

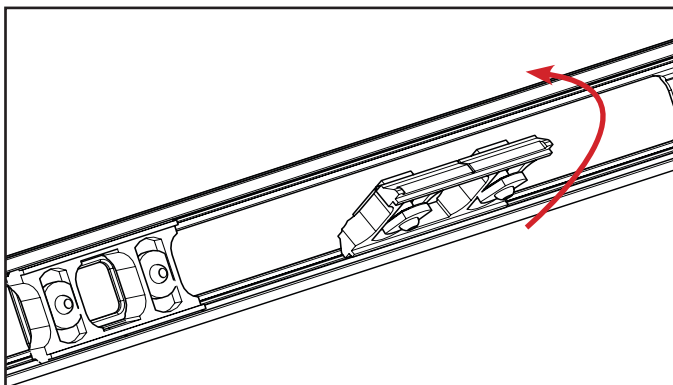
STEP 3: REPLACE THE DEADBOLT OR STRIKE RETAINER



a. Unscrew and remove the existing deadbolt or strike plates from the strike support and turn the strike support over to access the retainers.



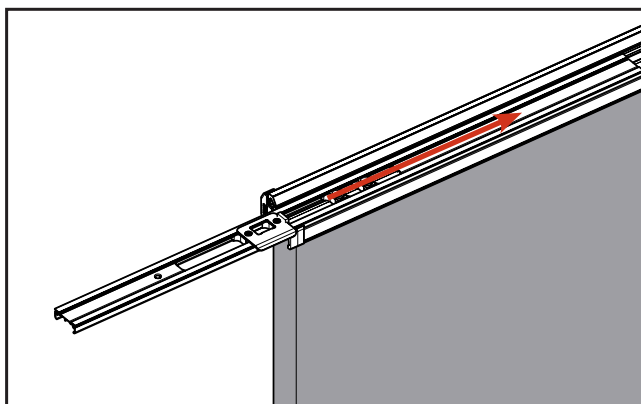
b. Working on the back of the strike support, remove the deadbolt or strike retainer by pushing it to one side of the channel and angling it out.



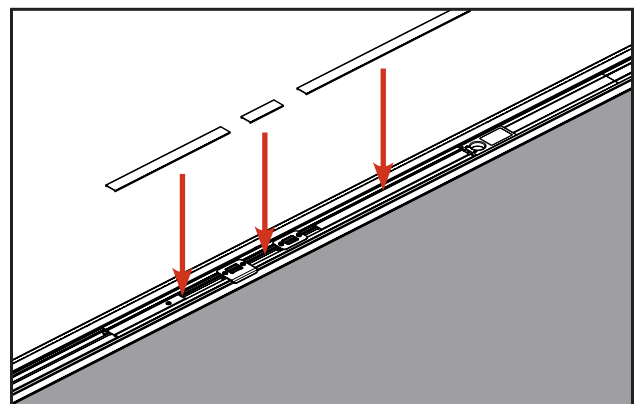
c. Replace the retainer by angling one side of the retainer into the channel and pushing the other side in to snap into place.

NOTE: The retainers may slide freely in the strike support channel. To ensure correct placement, wait until you return the strike support to the astragal before placing the deadbolt/strike plate.

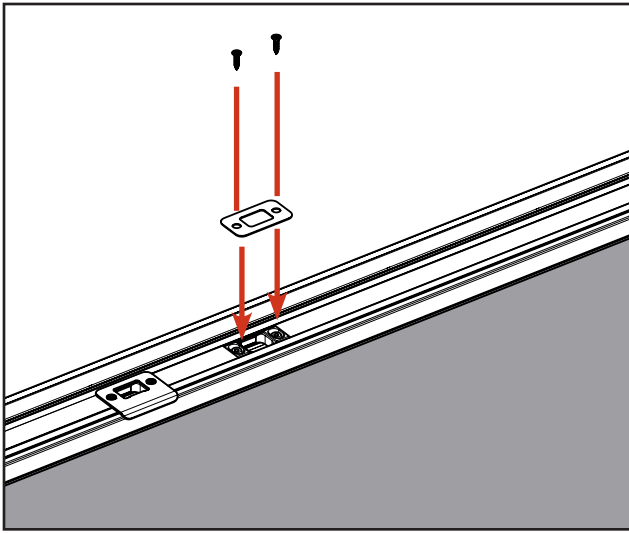
STEP 4: RETURN COMPONENTS TO ASTRAGAL



a. Slide the strike support back into the astragal body on the door, ensuring that the hole for the securing screw is towards the bottom of the door panel. Screw into place.

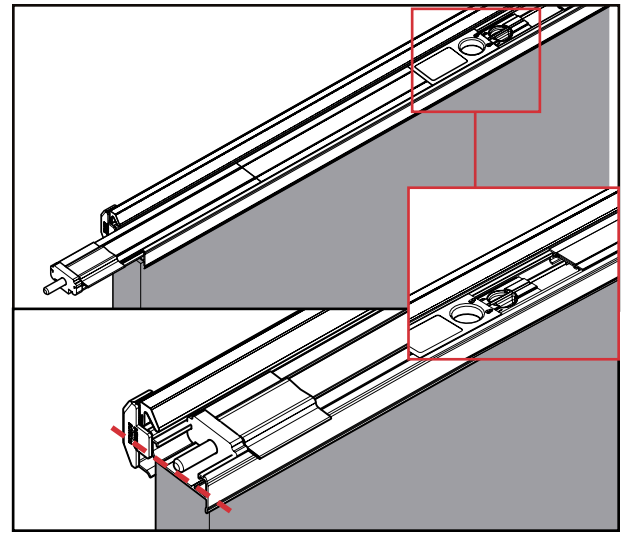


b. Return pieces of the trim strip into place on the strike support. Use this as a guide to confirm that the deadbolt/strike retainers align exactly with the location of the old retainers.



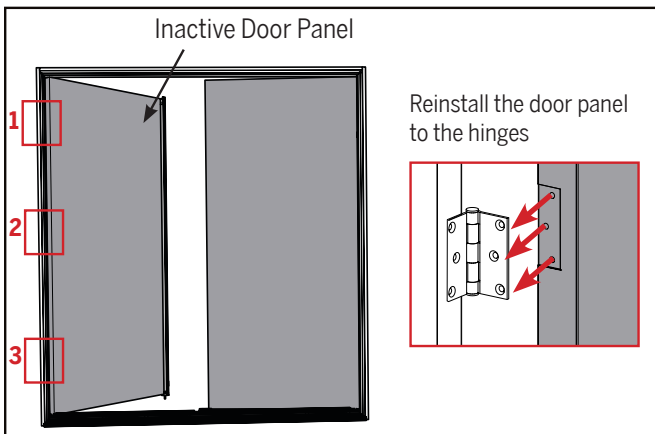
c. Screw the deadbolt plate and/or strike plate into place over the retainers. Use your best judgment to align the plates horizontally on the retainers. They may be re-adjusted after the door is back on the hinges.

NOTE: When reinstalling the strike plate, ensure the edge with the lip is oriented towards the inside of the door panel.

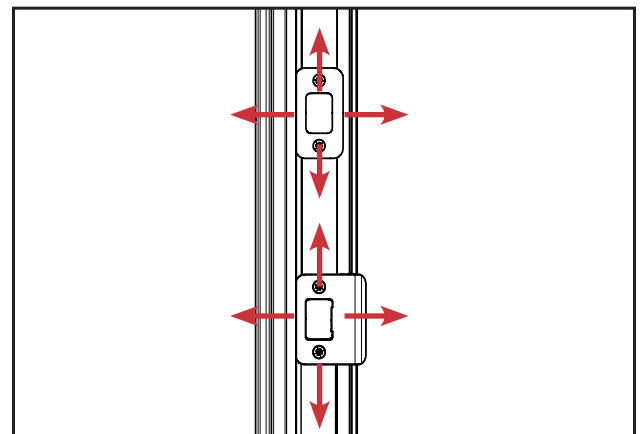


d. Slide the bottom bolt back into the astragal, ensure that the bottom of the bolt is flush with the bottom of the astragal when the bolt is in the unlocked position.

STEP 5: REINSTALL DOOR PANEL ON JAMB



a. Reinstall the inactive door panel by screwing the door panel back to the hinges.



b. Adjust the location of the plate if necessary by loosening the screws and sliding the plate horizontally.