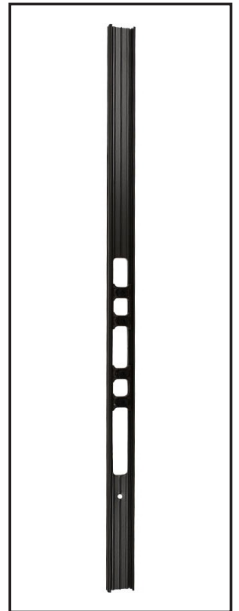


# Endura Ultimate Astragal Strike Support with Retainers

## Replacement Instructions

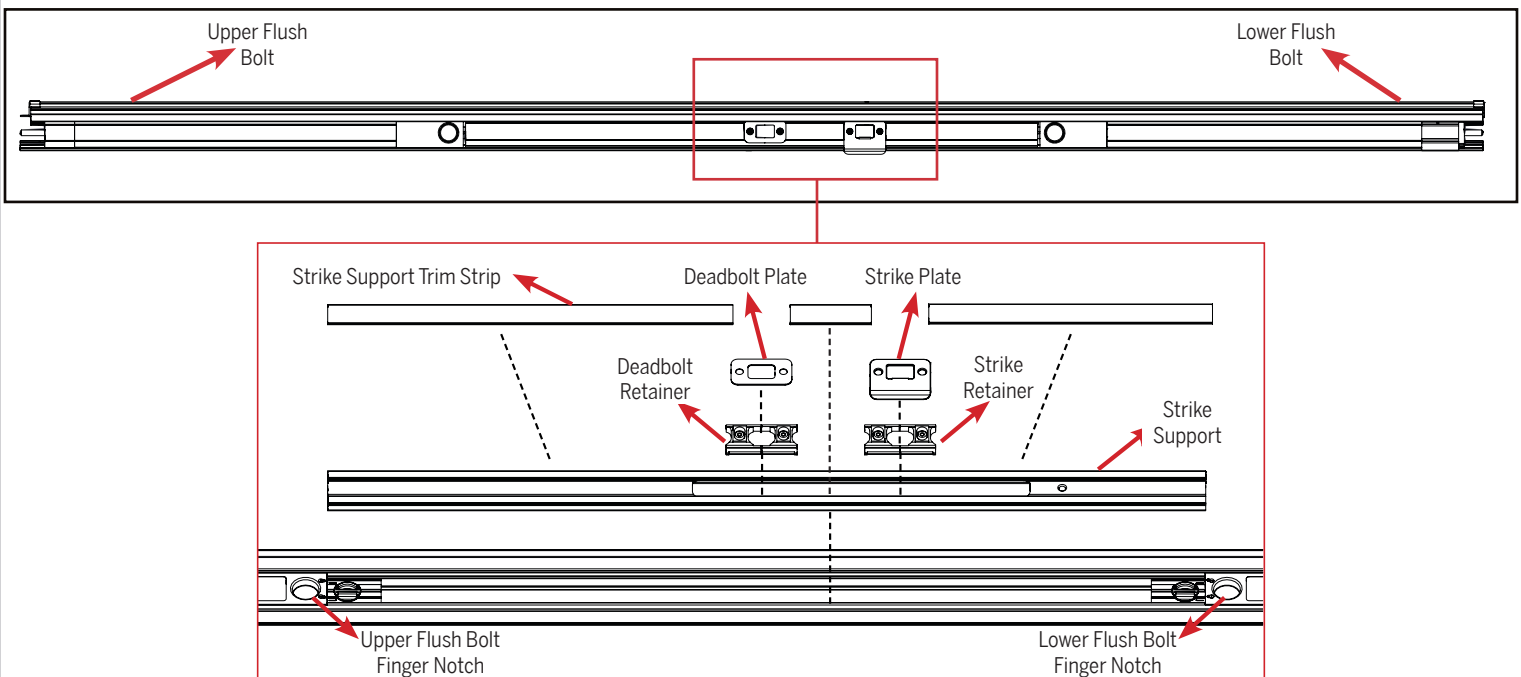
### Tools Required:

- Flathead Screwdriver
- Phillips Screwdriver
- Cutting Tool
- Pencil



### Product Reference Guide:

Ultimate Astragal and Ultimate Hurricane Astragal Anatomy

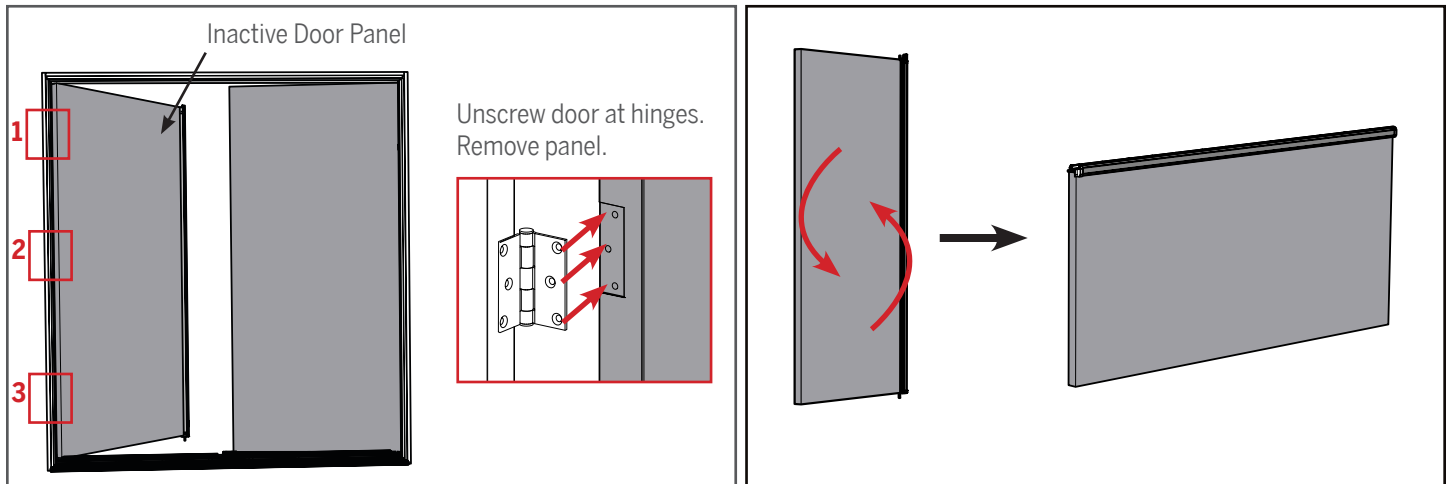


SKU: BD-INST-STKSUPPORT  
Revised:02.13.2017



8817 West Market Street, Colfax, NC 27235  
800.334.2006 Fax: 336.668.4478  
www.enduraproducts.com

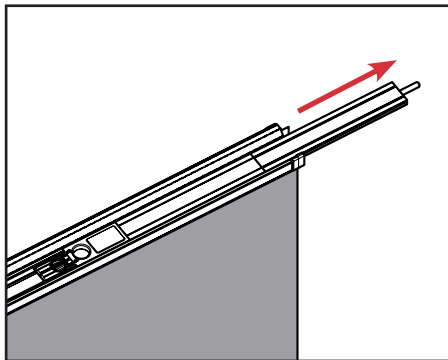
## STEP 1: REMOVE INACTIVE DOOR PANEL FROM JAMB



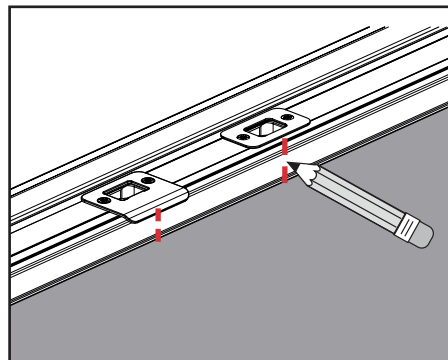
a. Remove the inactive door panel by unscrewing the door from the hinges.

b. Place the door panel horizontally against a strong support to access the astragal.

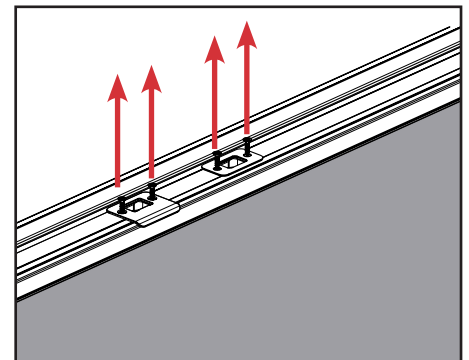
## STEP 2: REMOVE COMPONENTS



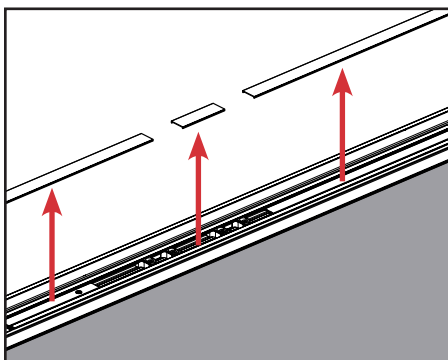
a. Slide out the upper flush bolt from the astragal body.



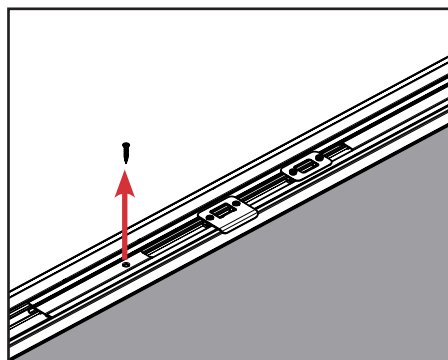
b. Using a pencil, mark the center line of the plate opening(s) on the edge of the astragal body.



c. Remove the screws from the strike and deadbolt plates to remove them from the astragal body.

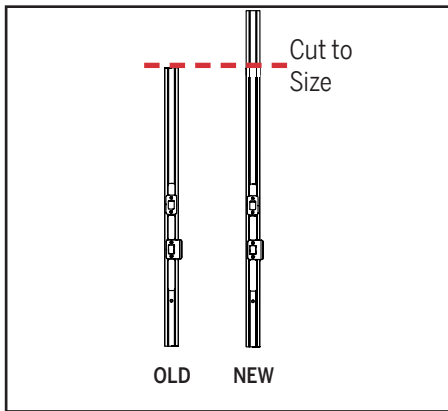


d. Remove the trim strip from the existing strike support.




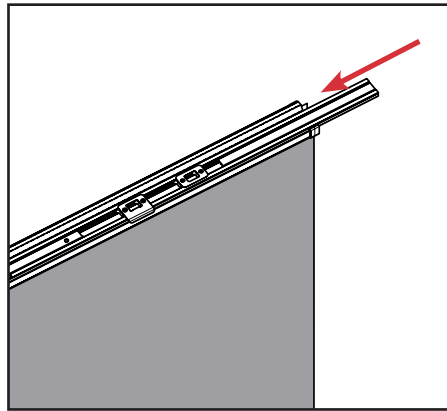
e. Remove the screw from the existing strike support. Slide the strike support out of the body.

## STEP 3: PREPARE AND INSTALL NEW STRIKE SUPPORT

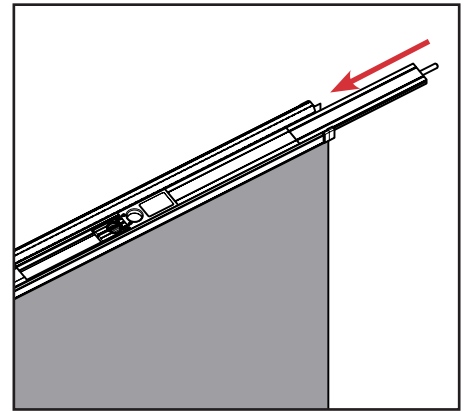


a. Position the replacement strike support next to the old strike support. Cut the replacement strike support to match the length of the old strike support.

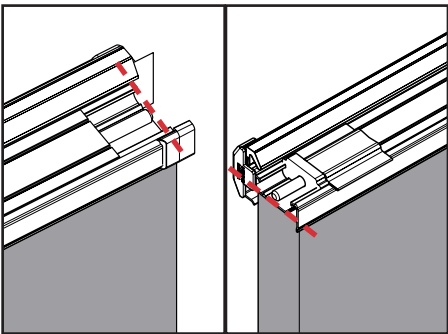
 Place the mounting hole towards the bottom of the strike support.



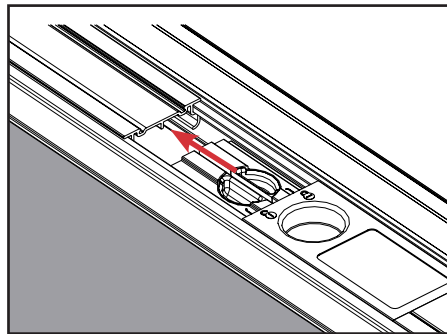
b. Slide the replacement strike support into the astragal body.



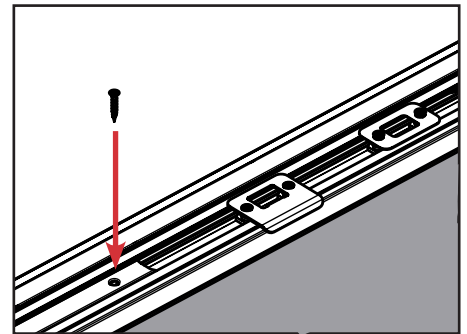
c. Slide the upper flush bolt back into the astragal body.



d. Position the upper and lower flush bolts so the pins align with the end of the astragal body.

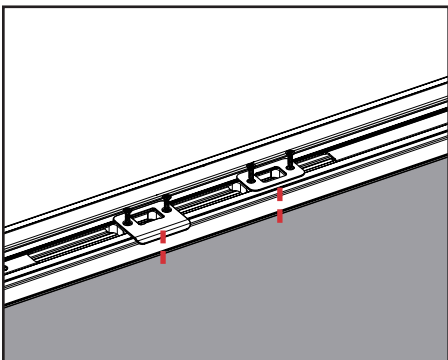


e. Position the strike support so the inner ends of each bolt slide under the strike support.

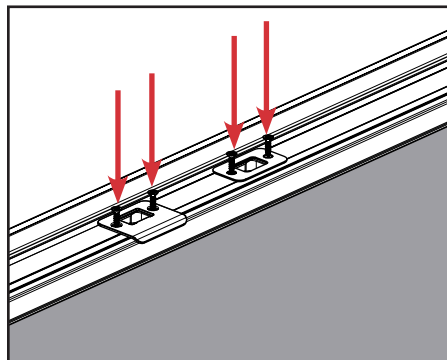


f. Secure the strike support with the 1-5/8" screw provided.

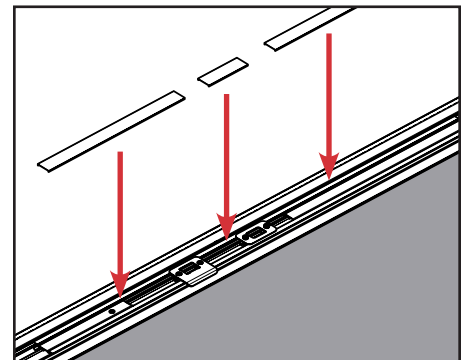
## STEP 4: REINSTALL REMAINING COMPONENTS



a. Use the marks in step 2b to align the center lines of the strike and deadbolt plates and retainers.

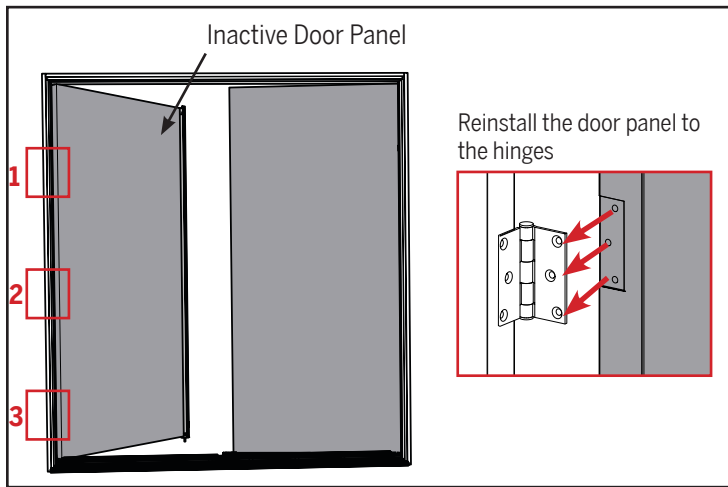


b. Tighten the screws into the strike and deadbolt plates to secure them in their location. Wipe away the pencil marks.

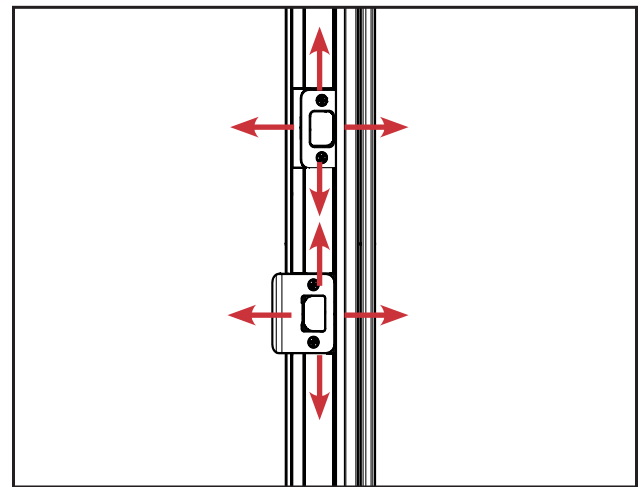


c. Reinstall the strike support trim into the new strike support.

## STEP 5: REINSTALL DOOR PANEL ON JAMB



a. Reinstall the inactive door panel by screwing the door panel back to the hinges.



b. Adjust the location of the plate if necessary by loosening the screws and sliding the plate horizontally.