

# SmartKey<sup>®</sup> Cylinder for Trilennium<sup>®</sup> Multi-Point Handsets

## Replacement Instructions

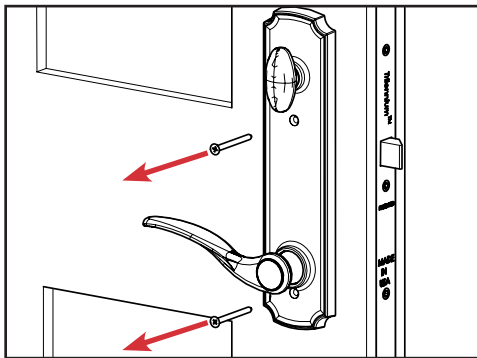


### Tools Required:



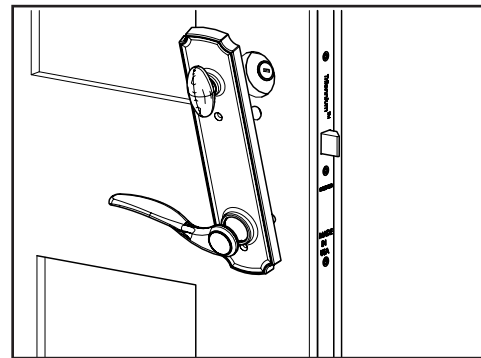
Phillips  
Screwdriver

### STEP 1: REMOVE HANDSETS FROM THE DOOR



a. Remove the two mounting screws on the interior handset that are securing both plates together.

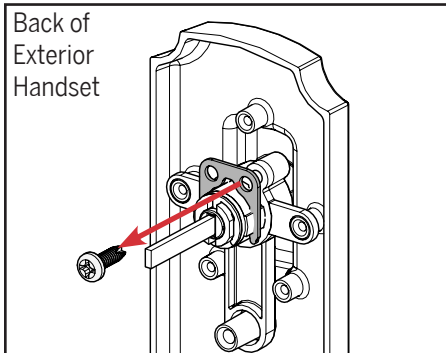
**NOTE:** Do not lose these screws. You will need them to reinstall the handset.



b. Carefully remove the plates from the door panel.

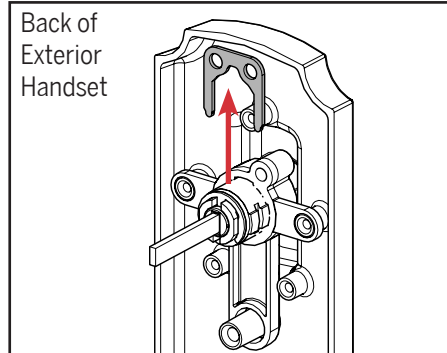
**NOTE:** There are loose pieces that may fall out as the plates are removed - do not lose these pieces.

### STEP 2: REMOVE THE OLD KEY CYLINDER



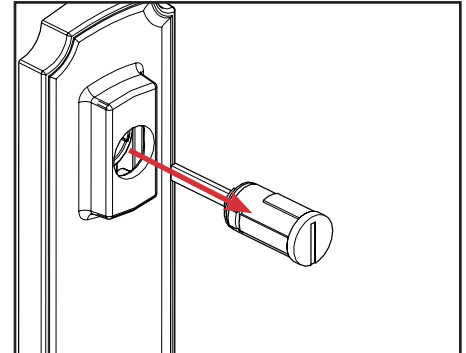
a. On the back of the exterior faceplate, remove the screw securing the retaining clip and key cylinder.

**NOTE:** Do not lose this screw. You will need it to install the new cylinder.



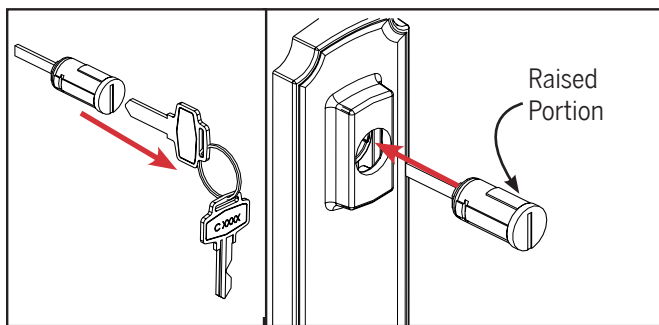
b. Remove the retaining clip securing the key cylinder.

**NOTE:** Do not lose this component. You will need it to install the new cylinder.

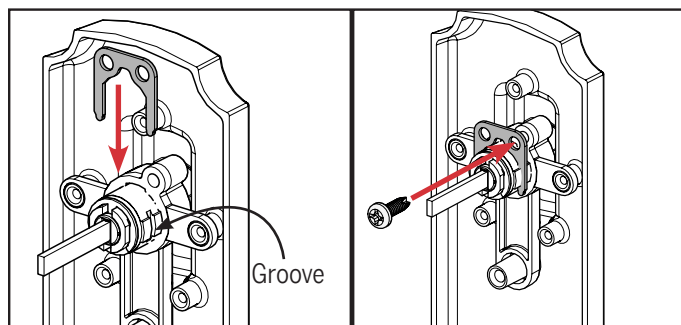


c. Remove the key cylinder from the front of the handset faceplate.

## STEP 3: INSTALL THE NEW KEY CYLINDER

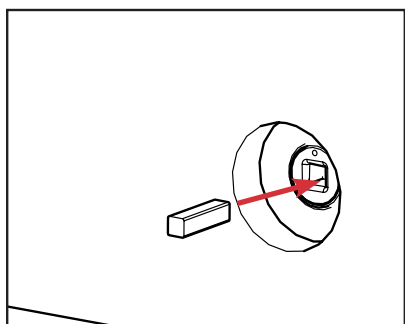


a. Remove the keys from the cylinder. From the outside of the handset faceplate, insert the new key cylinder into the mount. Ensure the raised portion of the cylinder is towards the top and side.

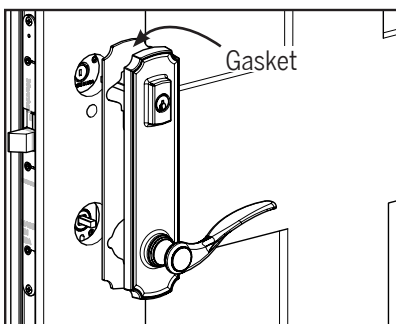


b. Return the retaining clip into the groove on the key cylinder as shown above. Install the screw previously removed to secure the cylinder.

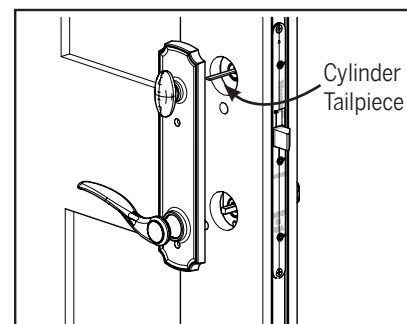
## STEP 4: RETURN THE HANDSETS TO THE DOOR



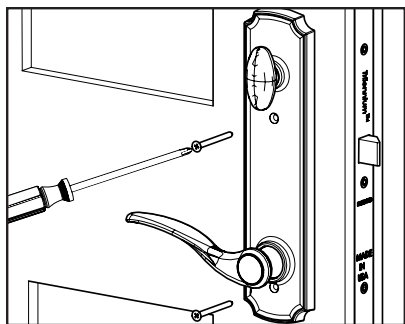
a. If the spindles fell out of either side of the lock when the faceplates were removed, reinsert them into their hubs within the lock.



b. Start with the exterior handset. If the gasket is still present, align it with inside face of the faceplate. Guide the cylinder tailpiece and handle cartridge into the respective hubs on the lock hardware. Hold in place.



c. With the interior handset, guide the thumb-turn receiving slot towards the cylinder tailpiece and align the handle cartridge with the spindle. Both handsets should lay flush against the door panel.



d. Secure the handsets with the mounting screws from the interior to exterior. Do not overtighten.

