

Construction Handset for Trilennium® Multi-Point Locks



8817 West Market Street, Colfax, NC 27235
800.334.2006 Fax: 336.668.4478
www.enduraproducts.com

Installation Instructions

Tools Required:

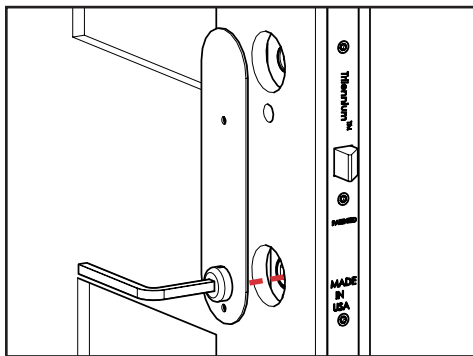


Phillips
Screwdriver

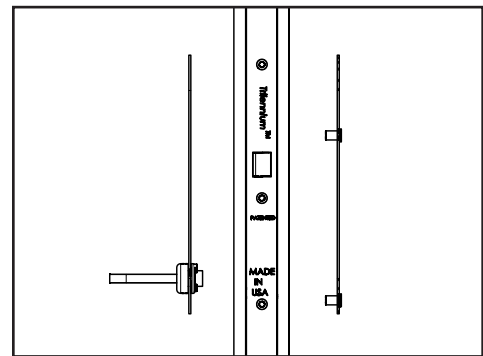
Kit Includes:

- Interior Handset Plate
- Exterior Handset Plate
- #10-32 Machine Screws (2)

STEP 1: ALIGN INTERIOR AND EXTERIOR HANDSETS

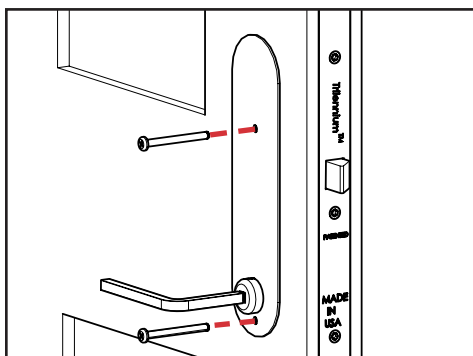


a. Place the interior handset onto the door, with the handle end aligning into the hub in the Trilennium lock.

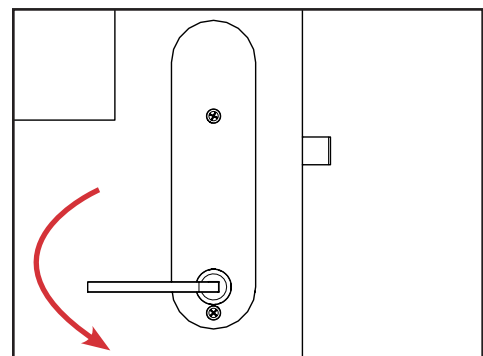


b. Align the exterior handset on the outside of the door panel. The screw bosses should fit into the door holes.

STEP 2: SCREW THE PLATES IN PLACE AND TEST



a. Secure the plates in place using the #10-32 machine screws provided.



b. Once installed, ensure the handle operates the latch.