

Endura Multi-Point Astragal Keeper

Replacement Instructions

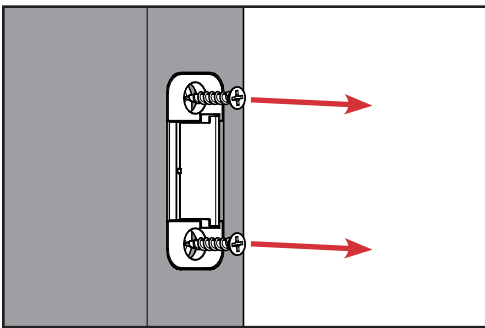


Tools Required:



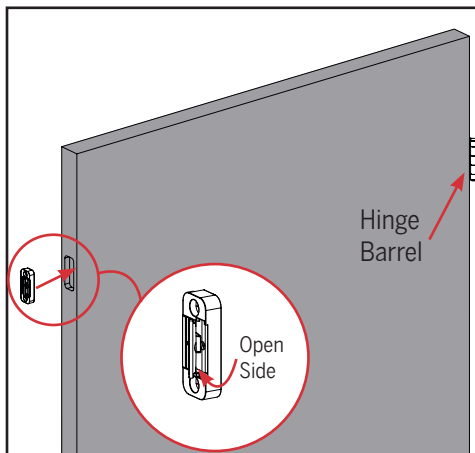
Phillips
Screwdriver

STEP 1: REMOVE EXISTING KEEPERS

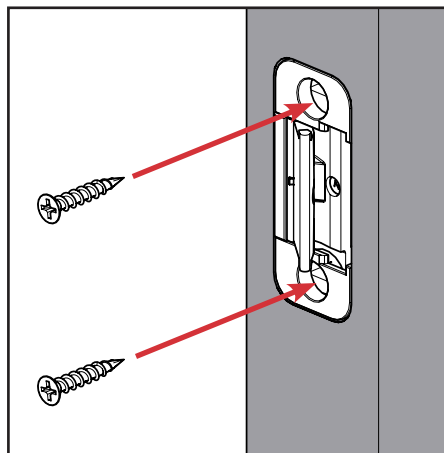


Remove the two screws from the keeper and pull the assembly out of the pocket.

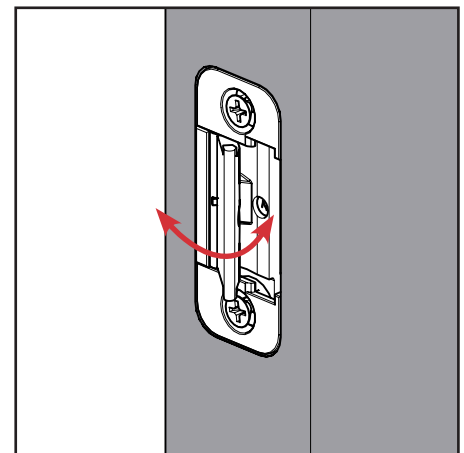
STEP 2: INSERT AND SECURE NEW KEEPERS



a. Insert the assembly into each pocket as shown. The open side of the keeper may face barrel of hinge when installed.



b. Secure each assembly with (2) #8 x 1" screws.



c. Confirm that the pivot arm moves freely.

SKU: BD-INST-MPAKEEPER
Revised: 02.14.2017



8817 West Market Street, Colfax, NC 27235
800.334.2006 Fax: 336.668.4478
www.enduraproducts.com