

# Endura DoorTop for Outswing Doors

## Installation Instructions



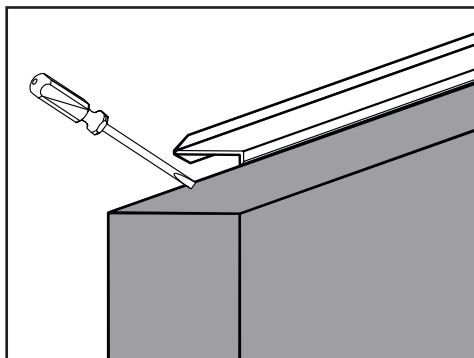
### TOOLS AND SUPPLIES:

- Putty Knife
- Tape Measure
- Marker
- Cutting Tool (Chop/Miter Saw **strongly** recommended)
- Exterior Grade Caulk
- Staple Gun
- 1/2" x 1/2" Staples

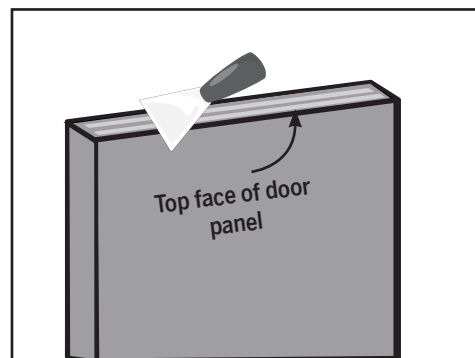
### NOTES:

You will need to open the door and use a ladder to gain access to the top of the panel.

### STEP 1: REMOVE THE OLD DOORTOP FROM THE PANEL

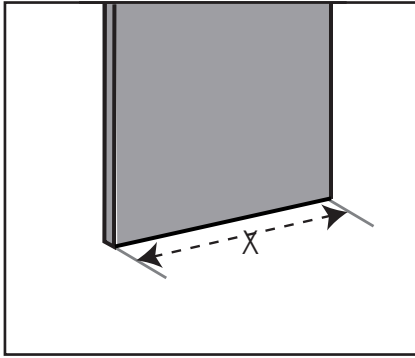


a. Remove the old DoorTop from the door panel. Use a flathead screwdriver to pry the end of the DoorTop up.

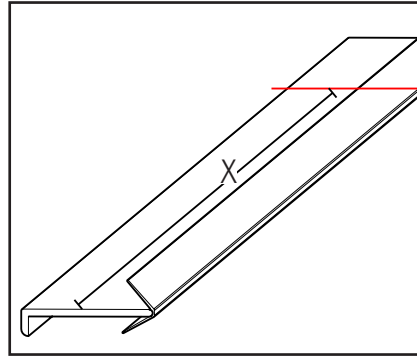


b. Remove any old residue or staples from the door panel's top face, using a putty knife or similar tool.

## STEP 2: PREPARE THE NEW DOORTOP

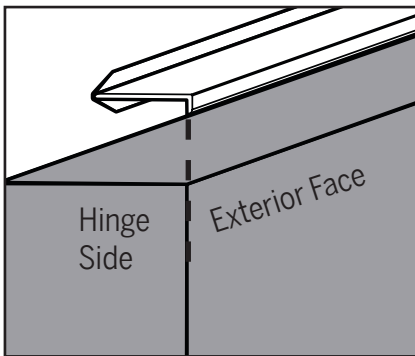


a. Measure the width of the door panel (X).

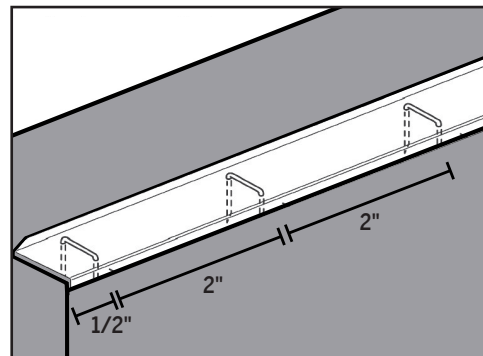


b. Measure and mark the same width (X) on the DoorTop, measuring from one end. Cut the DoorTop along this line.

## STEP 3(WOOD DOORS ONLY): ATTACH DOORTOP

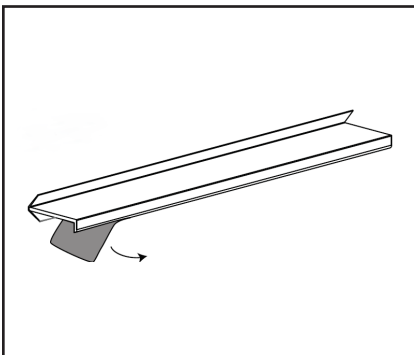


a. Orient the DoorTop with the door panel as shown above. Align the DoorTop flush to the edge of the hinge side.

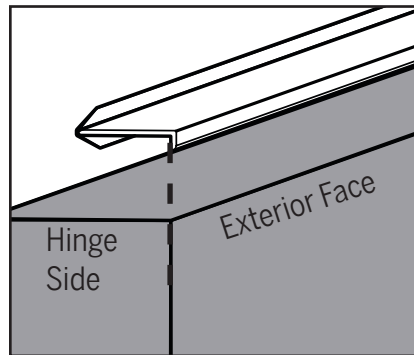


b. Attach the DoorTop to the top of the door panel using 1/2" x 1/2" staples. Position staples 1/2" from the end of the doortop and space them 2-4" apart. Close the door to confirm proper installation.

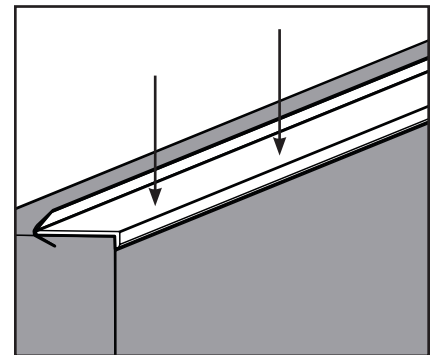
## STEP 4 (STEEL OR FIBERGLASS DOORS): ATTACH DOORTOP



a. Remove the backing strip from attachment tape on underside of DoorTop



b. Align the end of the DoorTop seal flush to the edge of the hinge side along the outside of the door panel.



c. Press the DoorTop firmly onto the panel along the entire length. Close the door to confirm proper installation.