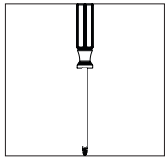


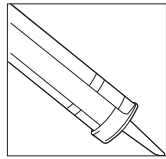
Endura Astragal Rubber Boot

Replacement Instructions

Tools Required:



Phillips
Screwdriver



Caulk

Alumawood Astragal
Rubber Boot



Left Hand Shown

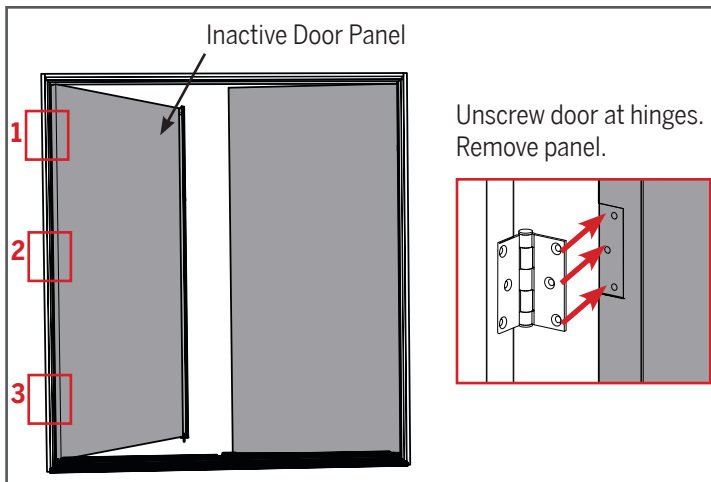
Wood Astragal
Rubber Boot



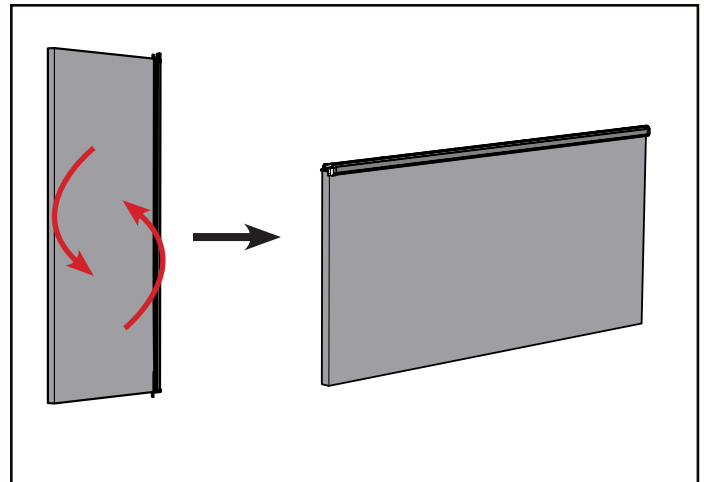
Left Hand Shown

NOTE: Boots are either left handed or right handed. Confirm the boot you are using is the correct handing.

STEP 1: REMOVE DOOR PANEL FROM JAMB

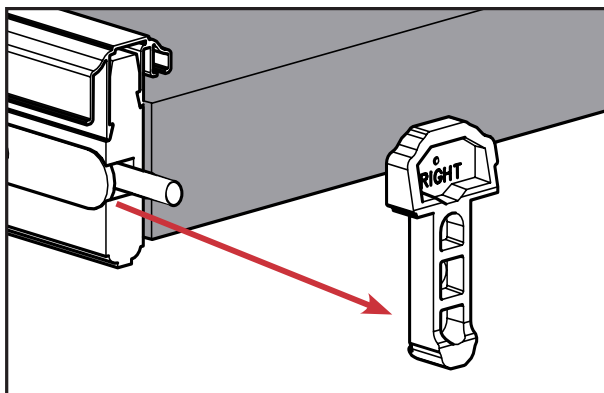


a. Remove the inactive door panel by unscrewing the door from the hinges.



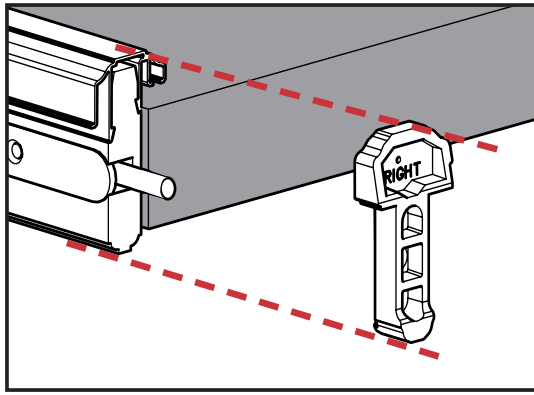
b. Place the door panel horizontally against a strong support to access the astragal.

STEP 2: REMOVE EXISTING BOOT

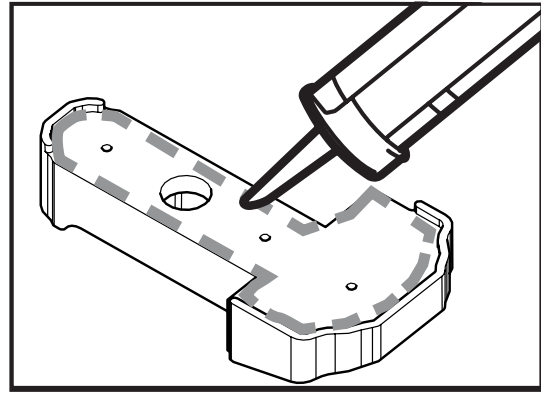


Remove the existing boot, if present. It may be secured with screws or staples. Ensure mounting surface at astragal bottom is smooth and flat.

STEP 3: PREPARE NEW BOOT FOR INSTALL

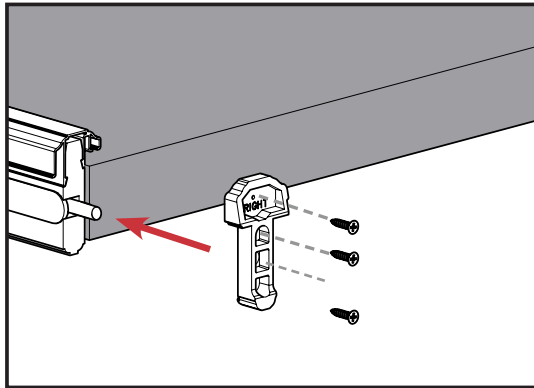


a. Align replacement boot with the bottom face of the astragal to ensure proper handing.



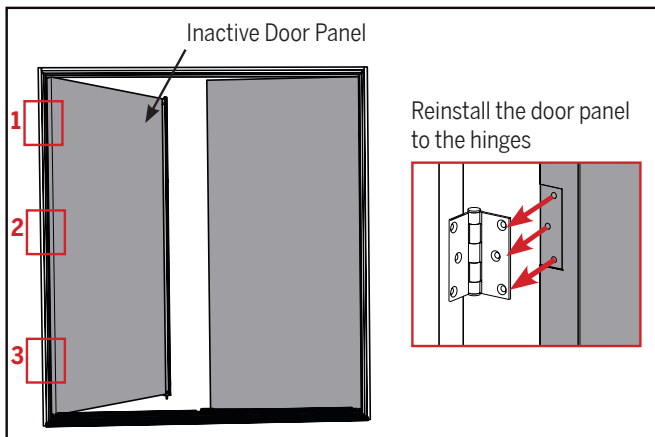
b. Apply a small bead of caulking along the perimeter of the boot mounting face.

STEP 4: INSTALL THE NEW BOOT



Place the boot on the astragal and secure with the screws provided. Wipe away excess caulking. Engage the lock and ensure that the flush bolt extends through the hole in the boot.

STEP 5: REINSTALL DOOR PANEL ON JAMB



Reinstall the inactive door panel by screwing the door panel back to the hinges.